

L-012

LAMP TYPE: MR16, GU5.3 bi-pin base

Suitable for indoor or outdoor use

For installation in **NON-combustible** wall/ceiling materials (masonry):

Maximum 20 Watts halogen / 10 Watts LED

For installation in **Combustible** wall/ceiling materials (wood):

Maximum 10 Watts halogen / LED

WARNING — Risk of Electric Shock. Install all luminaires 10 feet (3.05 m) or more from a pool, spa, or fountain. Verify that power is OFF before installing this fixture. This fixture must be installed in accordance with the National Electric Code and/or local codes. Failure to do so may result in serious personal injury or death. Wiring must be done by a licensed electrician.

For luminaires equipped with halogen lamps:

INSTRUCTIONS PERTAINING TO A RISK OF FIRE OR INJURY TO PERSONS
IMPORTANT SAFETY INSTRUCTIONS SAVE THESE INSTRUCTIONS

Lighted lamp is HOT!

WARNING – To reduce the risk of FIRE OR INJURY TO PERSONS:

- Turn off/unplug and allow to cool before replacing lamp.
- Lamp gets HOT quickly! Contact only switch/plug when turning on.
- Do not touch hot lens or faceplate.
- Keep lamp away from materials that may burn.
- Do not touch the lamp at any time. Use a soft cloth. Oil from skin may damage lamp.
- Do not operate the luminaire fitting with a missing or damaged faceplate or lens.

This is a low-voltage fixture for use with maximum 25A, 15V power units only. A remote transformer is required. Do not overload the transformer by installing or relamping with higher wattage lamps that together exceed the capacity of the transformer. The unit low-voltage cable shall: a) be protected by routing in close proximity to the luminaire or fitting, or next to a building structure such as a house or deck; b) not be buried except for a maximum 6 inches (15.2 cm) in order to connect to the main low-voltage cable; and c) have the length cut off so that it is connected to a connector within 6 inches (15.2 cm) from a building structure, a luminaire, or fitting. Contact Beachside Lighting for low voltage cable and direct burial wire for use as main secondary wiring. THIS DEVICE IS ACCEPTED AS A COMPONENT OF A LANDSCAPE LIGHTING SYSTEM WHERE THE SUITABILITY OF THE COMBINATION SHALL BE DETERMINED BY CSA OR LOCAL INSPECTION AUTHORITIES HAVING JURISDICTION.

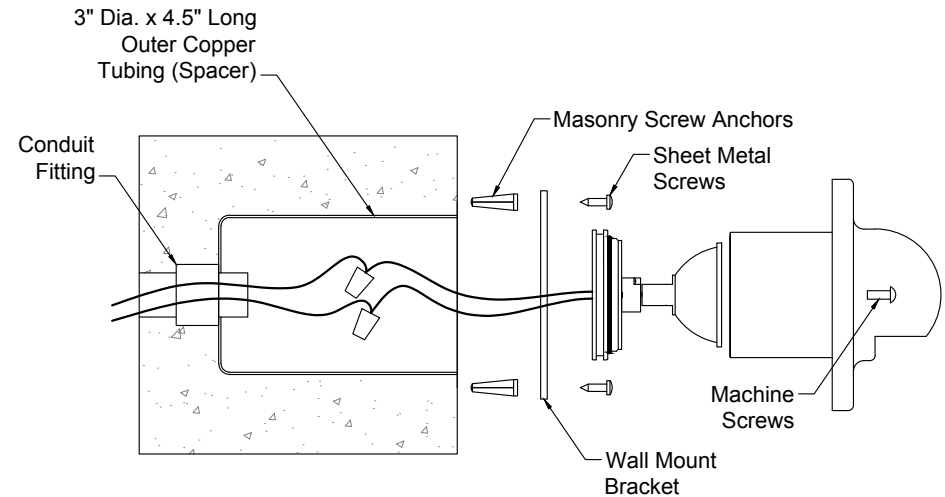
INSTALLATION

1. For non-combustible (masonry) installation, use copper spacer to pour around at fixture location. If necessary, use a 3" hole saw to create a void for the spacer in masonry or wood. Place open end of spacer flush with mounting surface.
2. Run low-voltage wire through rear/side hole(s) in spacer leaving at least 12" extra length. For combustible (wood) installation, conduit needs to be connected to the spacer.
3. Center the mounting bracket around the hole. Make sure the two THREADED holes on mounting bracket are level, then trace the UNTHREADED slots in bracket onto wall/ceiling. Do not trace the THREADED holes in bracket.
4. Using a 3/16" bit, drill 1" deep holes centered on the slot tracings.
5. Insert screw anchors into holes (masonry only). Align slots on mounting bracket over anchors, making any adjustments needed to keep the threaded holes level. Outer copper spacer must be installed so that it is flush against the wall mounting bracket.
6. Secure bracket to mounting surface with sheet metal screws (supplied).
7. Secure domed faceplate to bracket with stainless steel machine screws (supplied).
8. Use silicone-filled wire nuts (supplied) to join fixture and supply wires to ensure proper connection.

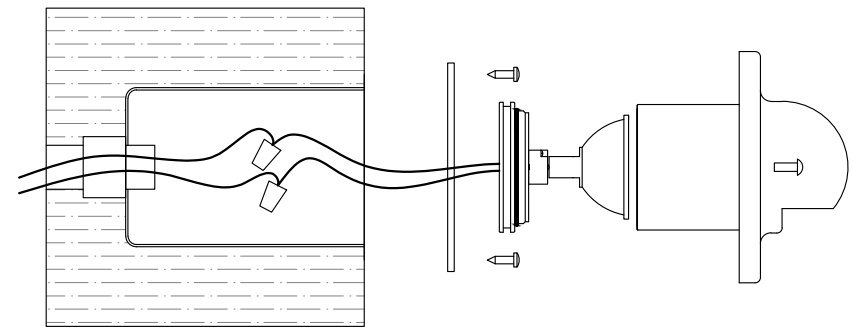
LAMPING

** please contact Beachside Lighting for LED relamping **

1. Use a 9/64" hex wrench to unscrew the two machine screws from fixture. Remove fixture from wall/ceiling.
2. Grasp the base hex fitting and unscrew fixture cylinder counterclockwise, exposing the socket. The front casting is permanently attached to the cylinder; do not attempt to unscrew this piece.
3. Holding the lamp at its base, insert its pins into socket. Screw cylinder back onto hex fitting. Do not overtighten. Reattach fixture onto brass wall mounting bracket with screws removed in Step 1.



Non-Combustible (Masonry) Installation, 20W Max.



Combustible (Wood) Installation, 10W Max.



808-405-6732

www.BeachsideLighting.com

CSA Listed, file # 190030