

E1

The E1 is an unobtrusive, low-voltage, step/downlight. Its minimalist design brings attention to the lamp's effect, not to the fixture itself.



Shown with Dark Bronze finish



Shown with custom 3.5" diameter canopy

Construction All brass components. 1/8" [3mm] thick brass housing.

Lens Tempered soda lime glass.

Voltage 12 Volts AC with integral driver (9 - 15V input, dimmable below 9V). Remote transformer required.

Mounting Two (2) hidden stainless steel sheet metal screws secure back plate to the mounting surface. Fixture housing is secured to the back plate by stainless steel set screws.

Custom size canopies available using 0.125" thick brass plate. Consult factory regarding custom canopy size, shape, and thru hole positioning needed to mate with recessed j-box (by others).

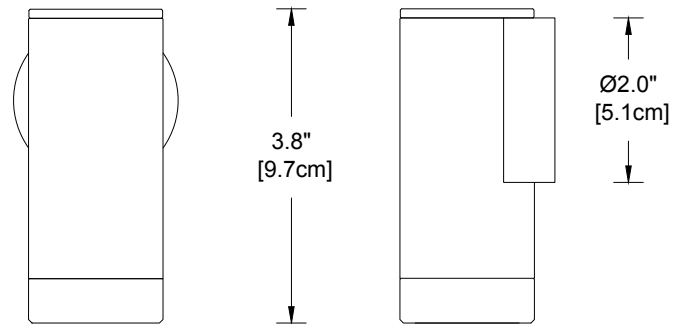
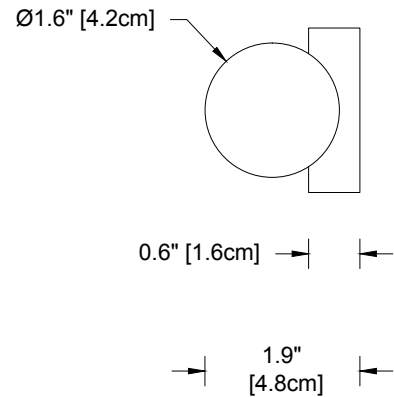
Lamps Triac dimmable: MLV >6% typ., ELV >16% typ.

Cree XPE2 LED 2 Watt Amber (1500K) TURTLE FRIENDLY	__ 2W-A-SP	Spot	9° Beam, 19° Field
	__ 2W-A-NFL	Narrow Flood	14° Beam, 31° Field
	__ 2W-A-FL	Flood	28° Beam, 60° Field
	__ 2W-A-NO	No Optic	45° Beam, 113° Field
Cree XPG2 LED 3 and 4 Watt Warm White (3000K)*	__ 3W-SP	Spot	12° Beam, 23° Field
	__ 3W-NFL	Narrow Flood	16° Beam, 36° Field
	__ 3W-FL	Flood	29° Beam, 61° Field
	__ 3W-NO	No Optic	46° Beam, 85° Field
	__ 4W-SP	Spot	12° Beam, 23° Field
	__ 4W-NFL	Narrow Flood	16° Beam, 36° Field
	__ 4W-FL	Flood	29° Beam, 61° Field
	__ 4W-NO	No Optic	71° Beam, 121° Field

* Also available in 2700K. Add color suffix to lamp specification, e.g. "3W-NFL-2700K"

Optical	__ FR8	Frosted lens
Accessories	__ HL8	Honeycomb louver, 1/8" [3mm] thick
	__ PR8	Prismatic spread lens
	__ RT8	Rectilinear spread lens

Finish: Unfinished is standard; no specification required. The fixture will weather to a natural patina. The patina process is natural with brass and copper. Rate of patina and eventual color is dependent upon climate and proximity to the ocean. Thus, Beachside does not guarantee any specific appearance.



Weight: 1.3 lbs. [0.6 kg]

IP 66
CSA Listed, file #190030
10 year fixture warranty
5 year Cree LED module warranty

MADE IN USA

Project	By	Date
For ordering purposes, please specify (example: E1-2W-A-FL-FR8)		
E1	-	-
Fixture	Lamp	Accessory(ies)