

# E8-S2

The E8-S2 is a solid brass, low-voltage, double-directional fixture on a brass riser. It can be aimed up or down and is ideal for tall ground cover. Its minimalist design brings attention to the lamp's effect, not to the fixture itself. The E8-S2 takes advantage of LED modules that can produce 10°-120° beam spreads with just a simple change of our line of field-serviceable optics.



**Construction** All brass components. 1/8" [3mm] thick brass housings. 1/2" schedule 40 brass stem.

**Lens** Tempered soda lime glass. Stepped to prevent pooling of water on lens.

**Voltage** 12 Volts AC with integral driver (9 - 15V input, dimmable below 9V). Remote transformer required.

**Stem Height** Custom stem heights are available upon request. Standard stem heights are:

- \_\_\_ 8 8" [20 cm]
- \_\_\_ 12 12" [30 cm]
- \_\_\_ 16 16" [40 cm]
- \_\_\_ 20 20" [51 cm]

**Lamps (2X)** Triac dimmable: MLV >6% typ., ELV >16% typ.

___ 2W-A-SP	Spot	10° Beam, 20° Field
___ 2W-A-NFL	Narrow Flood	15° Beam, 32° Field
___ 2W-A-FL	Flood	29° Beam, 61° Field
___ 2W-A-NO	No Optic	46° Beam, 114° Field
___ 3W-SP	Spot	13° Beam, 24° Field
___ 3W-NFL	Narrow Flood	17° Beam, 37° Field
___ 3W-FL	Flood	30° Beam, 62° Field
___ 3W-NO	No Optic	47° Beam, 86° Field
___ 4W-SP	Spot	13° Beam, 24° Field
___ 4W-NFL	Narrow Flood	17° Beam, 38° Field
___ 4W-FL	Flood	30° Beam, 62° Field
___ 4W-NO	No Optic	71° Beam, 121° Field

Cree XPE2 LED  
2 Watt Amber (1500K)

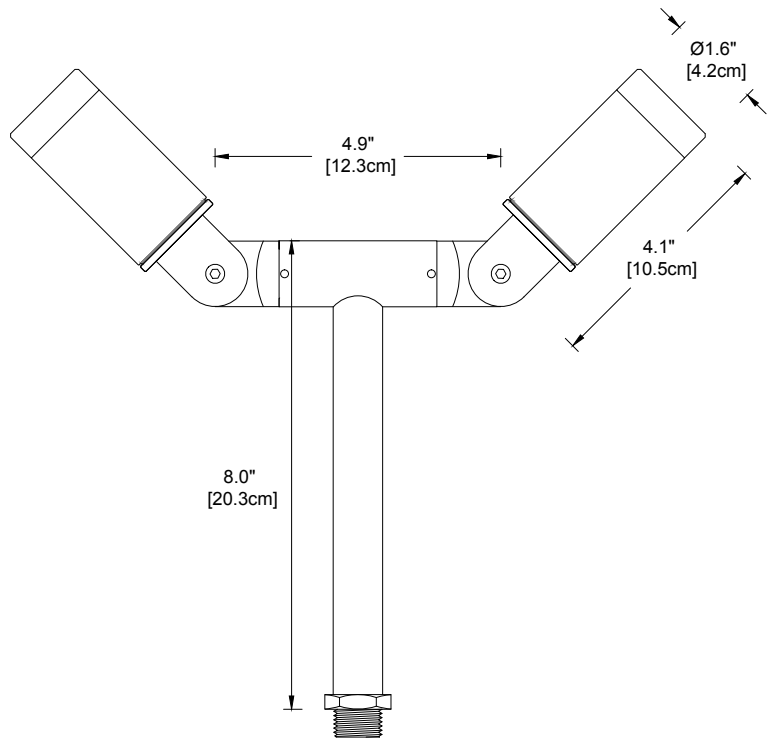
Cree XPG2 LED  
3 and 4 Watt  
Warm White (3000K)\*

\* Also available in 2700K. Add color suffix to lamp specification, e.g. "3W-NFL-2700K"

**Mounting** 1/2" male threads. Mounts into any standard j-box or:

- Accessories**
- \_\_\_ GS2 Heavy-duty ground spike
  - \_\_\_ GS2BC Heavy-duty ground spike with cast brass cap
  - \_\_\_ GS3R Heavy-duty ground spike with brass cap for telescoping fixture riser
  - \_\_\_ GS4 Standard ground spike with cast brass cap
  - \_\_\_ JB Cast brass junction box

- Optical Accessories**
- \_\_\_ BGS8 Brass glare shield, 45° cutoff
  - \_\_\_ BGS8F Brass glare shield, full cutoff
  - \_\_\_ FR8 Frosted lens
  - \_\_\_ HL8 Honeycomb louver, 1/8" [3mm] thick
  - \_\_\_ PR8 Prismatic spread lens
  - \_\_\_ RT8 Rectilinear spread lens



E8-S2-8

**Finish:** Unfinished is standard; no specification required. The fixture will weather to a natural patina. The patina process is natural with brass and copper. Rate of patina and eventual color is dependent upon climate and proximity to the ocean. Thus, Beachside does not guarantee any specific appearance.

**Weight:** 4.4 lbs [2.0 kg] with 12" stem

IP 66  
CSA Listed, file #190030  
10 year fixture warranty  
5 year Cree LED module warranty

**MADE IN USA**

Project		By		Date		
For ordering purposes, please specify (example: E8-S2-8-2W-A-SP-FR8-BGS8-2W-A-FL-RT8-BGS8-GS4)						
<b>E8-S2</b>	Stem Height	Lamp 1	Accessory(ies) Lamp 1	Lamp 2	Accessory(ies) Lamp 2	Other Accessory(ies)