

# L-010-B / L-010-B-CR

The L-010-B is a brass and composite, in-ground uplight. An internal bracket assembly allows 360° rotation and angling of the lamp up to 16° before any cutoff. The integrated junction box at the base of the housing has two 3/4" NPT-tapped holes for conduit entry on the bottom and two more on opposite side walls.



Fixture shown with optional PG protection grate and BGS2 glare shield accessories

- L-010-B-120V** 120V At-grade application for soil, gravel, or brick
- L-010-B-CR-120V** 120V Same as L-010-B-120V but with a **CONCRETE RING** for fully recessed concrete installation
- L-010-B-230V** 230V At-grade application for soil, gravel, or brick
- L-010-B-CR-230V** 230V Same as L-010-B-230V but with a **CONCRETE RING** for fully recessed concrete installation

**Construction** Cast brass cover on composite housing

**Lens** Clear, tempered glass.

**Voltage** 120V / 230V AC with integral transformer

## Lamps

MR16 Halogen, GU5.3 50 Watts maximum	— <b>ESX</b>	20 Watt	12° spot	
	— <b>FMV</b>	35 Watt	24° narrow flood	
	— <b>EXN</b>	50 Watt	36° flood	
GU5.3, MR16 LED Cree chipset Warm White (3000K)	— <b>5W-SP</b>	5 Watt	15° spot	320 lm
	— <b>5W-NFL</b>	5 Watt	25° narrow flood	320 lm
	— <b>5W-FL</b>	5 Watt	40° flood	320 lm
	— <b>5W-FL/60</b>	5 Watt	60° flood	320 lm
	— <b>5W-WFL</b>	5 Watt	100° wide flood	320 lm
GU5.3, MR16 LED Lumiled chipset (7W)	— <b>7W-NFL</b>	7 Watt	25° narrow flood	483 lm
	— <b>7W-FL</b>	7 Watt	40° flood	487 lm
	— <b>7W-WFL</b>	7 Watt	60° wide flood	483 lm
Soraa chipset (8W) Warm White (3000K)	— <b>8W-SP</b>	8 Watt	10° spot	500 lm
	— <b>8W-NFL</b>	8 Watt	25° narrow flood	525 lm
	— <b>8W-FL</b>	8 Watt	36° flood	525 lm

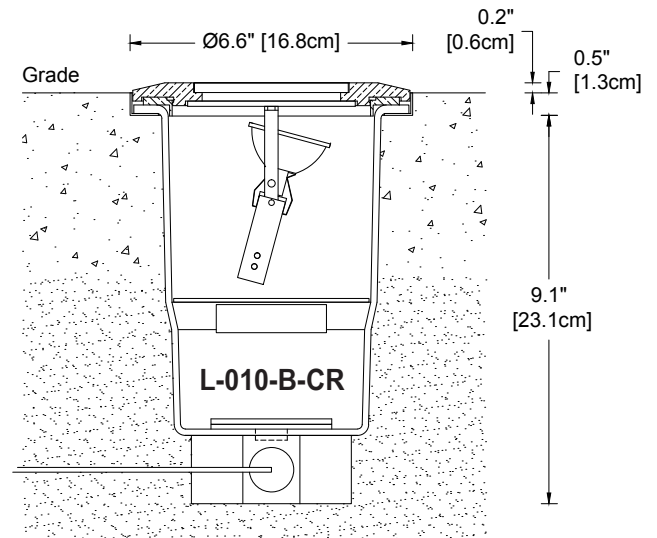
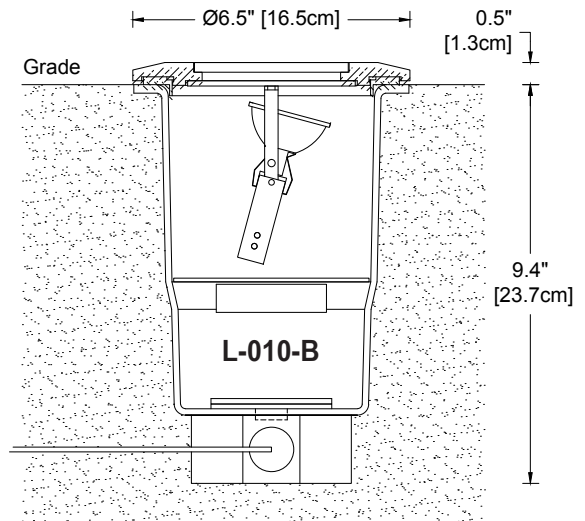
- Accessories**
- **BGS2** Brass glare shield
  - **PG** Brass protection grate

- Optical Accessories**
- **FR-MR16** Frosted lens
  - **HL-MR16** Honeycomb louver, 1/8" [3mm] thick
  - **PR-MR16** Prismatic spread lens
  - **RT-MR16** Rectilinear spread lens

**Finish:** Unfinished is standard; no specification required. The fixture will weather to a natural patina. The patina process is natural with brass and copper. Rate of patina and eventual color is dependent upon climate and proximity to the ocean. Thus, Beachside does not guarantee any specific appearance.

**Weight:** 5.3 lbs. [2.4 kg]

IP 67  
CSA Listed, file #190030  
10 year fixture warranty  
3 year warranty on MR16 LED lamps  
Drive-over static load rating: 12,500 lbs



Fixtures supplied with 15 ft. [4.5 m] type SJOOW cord for remote connectors.

**MADE IN USA**

Project _____	By _____	Date _____
For ordering purposes, please specify (example: <b>L-010-B-CR-120V-5W-SP-PG-FR-MR16</b> )		
<b>L-010-B-</b> _____ <b>V</b>	_____	_____
Fixture / Voltage	Lamp	Accessory(ies)