

# L-011-CM1

The L-011-CM1 is a single, adjustable, wall-mounted fixture.

**Construction** All brass components. 0.140" [3.6mm] thick brass housing.

**Lens** Tempered soda lime glass.

**Mounting** **Round Canopy** (standard): Brass canopy mounts onto brass crossbar (included). Crossbar fits over 3.0" and 4.0" octagonal / round and single gang rectangular recessed boxes.

**Square Canopy** (optional substitution): Two-part brass canopy mounts over 3.0-3.5" octagonal / round box only.



**L-011-CM1** 12 Volts, Remote transformer required

MR16 Halogen	__ <b>BAB</b>	20 Watt	36° flood	320 lm
GU5.3, 50 Watts max.	__ <b>FMV</b>	35 Watt	24° narrow flood	320 lm
	__ <b>EXT</b>	50 Watt	12° spot	320 lm
	__ <b>5W-SP</b>	5 Watt	15° spot	320 lm
GU5.3, MR16 LED	__ <b>5W-NFL</b>	5 Watt	25° narrow flood	320 lm
Cree chipset	__ <b>5W-FL</b>	5 Watt	40° flood	320 lm
Warm White (3000K)	__ <b>5W-FL/60</b>	5 Watt	60° flood	320 lm
	__ <b>5W-WFL</b>	5 Watt	100° wide flood	320 lm
	__ <b>7W-NFL</b>	7 Watt	25° narrow flood	483 lm
GU5.3, MR16 LED	__ <b>7W-FL</b>	7 Watt	40° flood	487 lm
Lumiled chipset (7W)	__ <b>7W-WFL</b>	7 Watt	60° wide flood	483 lm
Soraa chipset (8W)	__ <b>8W-SP</b>	8 Watt	10° spot	500 lm
Warm White (3000K)	__ <b>8W-NFL</b>	8 Watt	25° narrow flood	525 lm
	__ <b>8W-FL</b>	8 Watt	36° flood	525 lm

**L-011-CM1-120V** 120 Volts

**L-011-CM1-230V** 230 Volts

MR16 LED	__ <b>5W-NFL</b>	5 Watt	25° narrow flood
Cree chipset, GU10	__ <b>5W-FL</b>	5 Watt	40° flood
Warm White (3000K)	__ <b>5W-WFL</b>	5 Watt	100° wide flood
MR16 LED	__ <b>8W-SP</b>	8 Watt	10° spot
Soraa chipset, GU10	__ <b>8W-NFL</b>	8 Watt	25° narrow flood
Warm White (3000K)	__ <b>8W-FL</b>	8 Watt	36° flood

**Mounting Accessories**

- \_\_ **SA** Sure Aim locking rotation accessory
- \_\_ **SQ1-3.5** 3.5" (9cm) Square canopy substitution for standard round canopy. For 3.0-3.5" round or octagonal recessed box with screw spacing at 2.75" on center.

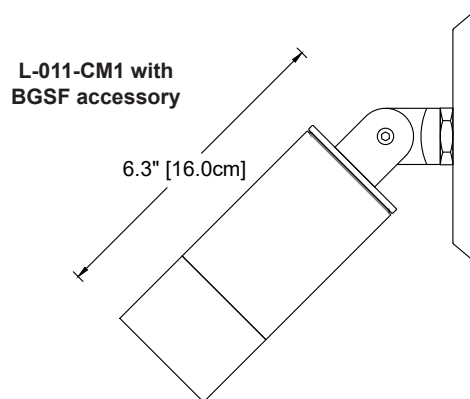
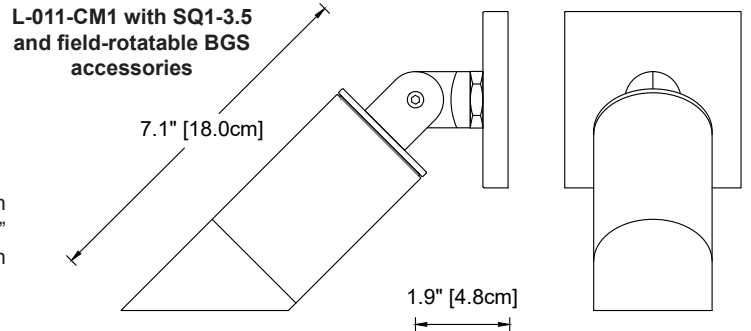
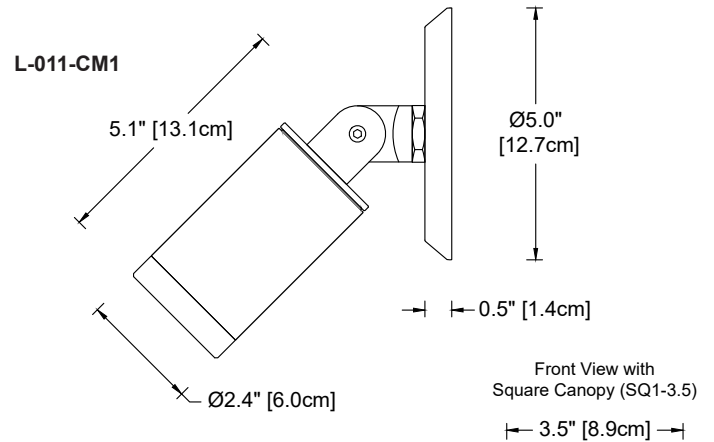
**Optical Accessories**

- \_\_ **BGS** Brass glare shield, 45° cutoff
- \_\_ **BGSF** Brass glare shield, full cutoff with weep hole
- \_\_ **FR** Frosted lens
- \_\_ **HL1** Honeycomb louver, 1/8" [3mm] thick
- \_\_ **HL2** Honeycomb louver, 1/4" [6mm] thick
- \_\_ **PR** Prismatic spread lens
- \_\_ **RT** Rectilinear spread lens
- \_\_ **SL** Solite lens

**Finish:** Unfinished is standard; no specification required. The fixture will weather to a natural patina. The patina process is natural with brass and copper. Rate of patina and eventual color is dependent upon climate and proximity to the ocean. Thus, Beachside does not guarantee any specific appearance.

**Weight:** 3.7 lbs. [1.7 kg]

IP 66  
 CSA Listed, file #190030  
 10 year fixture warranty  
 3 year warranty on MR16 LED lamps



**MADE IN USA**

Project _____	By _____	Date _____
For ordering purposes, please specify (example: <b>L-011-CM1-120V—8W-NFL—SQ1-3.5—BGS</b> )		
<b>L-011-CM1-</b>	—	—
Fixture	Lamp	Accessory(ies)