

L-012



**Wildlife Lighting
Certification Number
2018-029**

The L-012 is a solid brass steplight with a recessed housing.



Construction: Cast brass faceplate. 1/8" [3mm] thick brass recessed housing.

Lens: Tempered soda lime glass.

Lens Choices: **FR** Frosted glass
 RT Rectilinear spread lens

Voltage: 12 Volts AC. Remote transformer required.

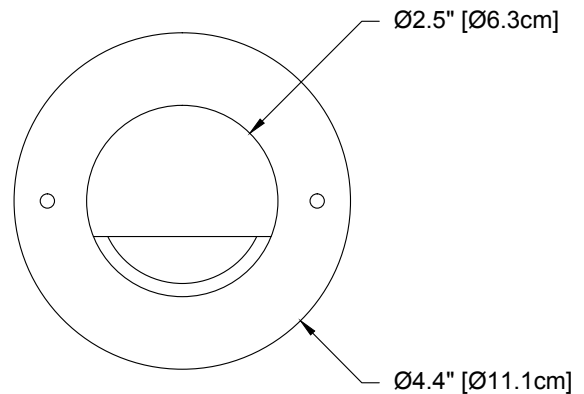
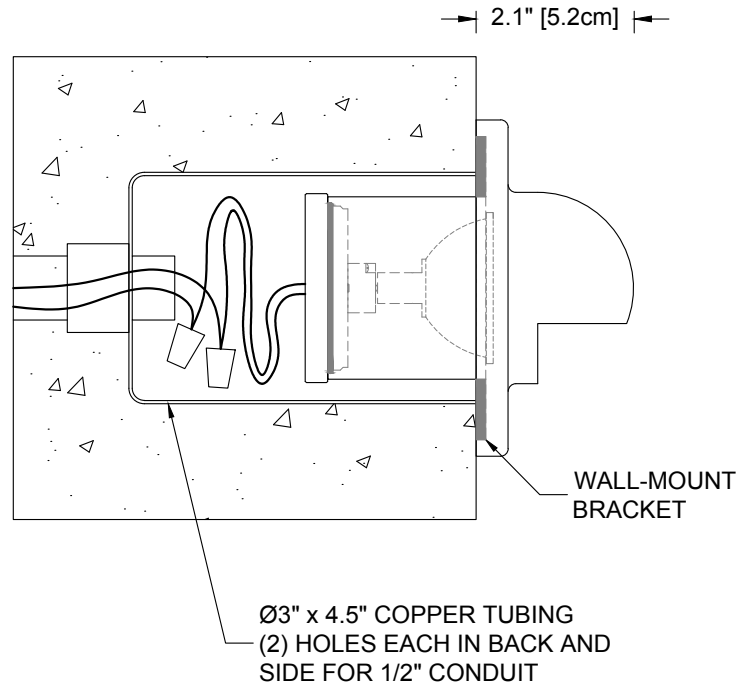
Mounting: Suitable for outside recessed wall mounting only, in both combustible and non-combustible applications. A 3" diameter x 4.5" deep [7.6cm x 11.4cm] hole is required. A spacer is included for this purpose.

Lamps:

MR16 LED
Cree chipset, GU5.3 **5W-A-NFL** 5 Watt Amber 25° narrow flood
Amber (1500K)

Wavelength: 585 - 595 nanometers

Finish: Unfinished is standard; no specification required. The fixture will weather to a natural patina. The patina process is natural with brass and copper. Rate of patina and eventual color is dependent upon climate and proximity to the ocean. Thus, Beachside does not guarantee any specific appearance.



Weight: 3.7 lbs. [1.7 kg]

IP 66
CSA Listed, file #190030
10 year fixture warranty
3 year warranty on MR16 LED lamps

MADE IN USA

Project	By	Date
L-012	For ordering purposes, please specify (example: L-012—FR—5W-A-FL)	5W-A-FL
Fixture	Lens	Lamp