

X1



**Wildlife Lighting
Certification Number
#2019-232**

The X1 is an unobtrusive, low-voltage, mini bollard downlight. More compact than a shaded path light, its minimalist design allows attention to focus on the lamp's extra-wide flood effect, not the fixture itself.



Construction All brass components. 1/8" [3mm] thick brass housing. 1-1/4" schedule 40 brass stem.

Lens Tempered soda lime glass.

Voltage 9-15V input. Triac dimmable with MLV dimmer. Remote transformer required.

Fixture Height Custom stem heights are available upon request. Standard overall height is 20".

— **20** 20" [51 cm]
— Custom height (in inches)

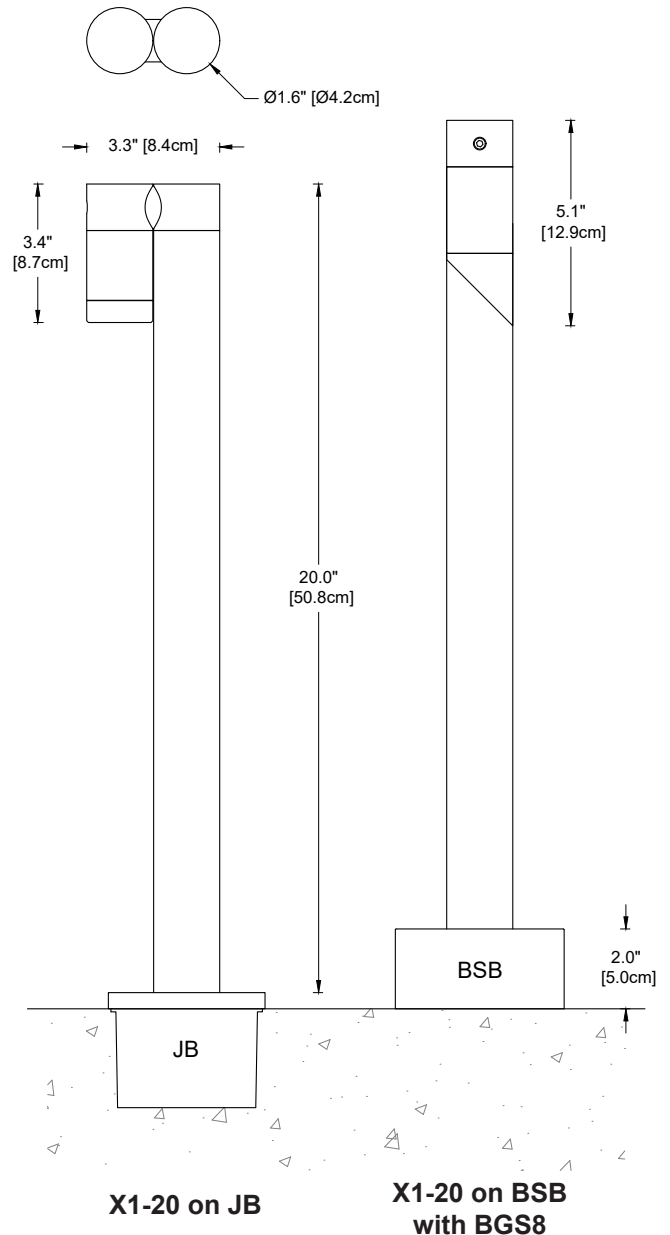
Lamps Triac dimmable: MLV >6% typ.

Cree XPE2 LED
2 Watt Amber (1500K) — **2W-A-NO** No Optic 46° Beam, 114° Field

Optical Accessories
— **BGS8** Brass glare shield, 45° cutoff
— **BGS8F** Brass glare shield, full cutoff

Mounting Accessories 1/2" male threads. Mounts into any standard j-box or:
— **BSB** Brass Surface Box for surface-mount applications on concrete or wood. Includes internal brass collar and stainless steel lag screws. 4.25" (11cm) diameter x 2.0" (5cm) high.
— **GS2BC** Heavy-duty ground spike with cast brass cap
— **JB** Cast brass junction box

Finish: Unfinished is standard; no specification required. The fixture will weather to a natural patina. The patina process is natural with brass and copper. Rate of patina and eventual color is dependent upon climate and proximity to the ocean. Thus, Beachside does not guarantee any specific appearance.



IP 66
CSA Listing pending
10 year fixture warranty
5 year Cree LED module warranty

MADE IN USA

Project		By		Date	
For ordering purposes, please specify (example: X1-20-2W-A-NO-BGS8-BSB)					
X1	—	2W-A-NO	—		
Fixture	Fixture Height	Lamp / Optic		Accessory(ies)	