

L-011-S2-120V

LAMP TYPE: MR16 GU10 bi-pin base (x2); **Maximum 20 Watts LED, 50 Watts halogen**
SUITABLE FOR WET LOCATIONS

WARNING — Risk of Electric Shock. Verify that power is OFF before installing this fixture. This fixture must be installed in accordance with the National Electric Code and/or local codes. Failure to do so may result in serious personal injury or death. Wiring must be done by a licensed electrician.

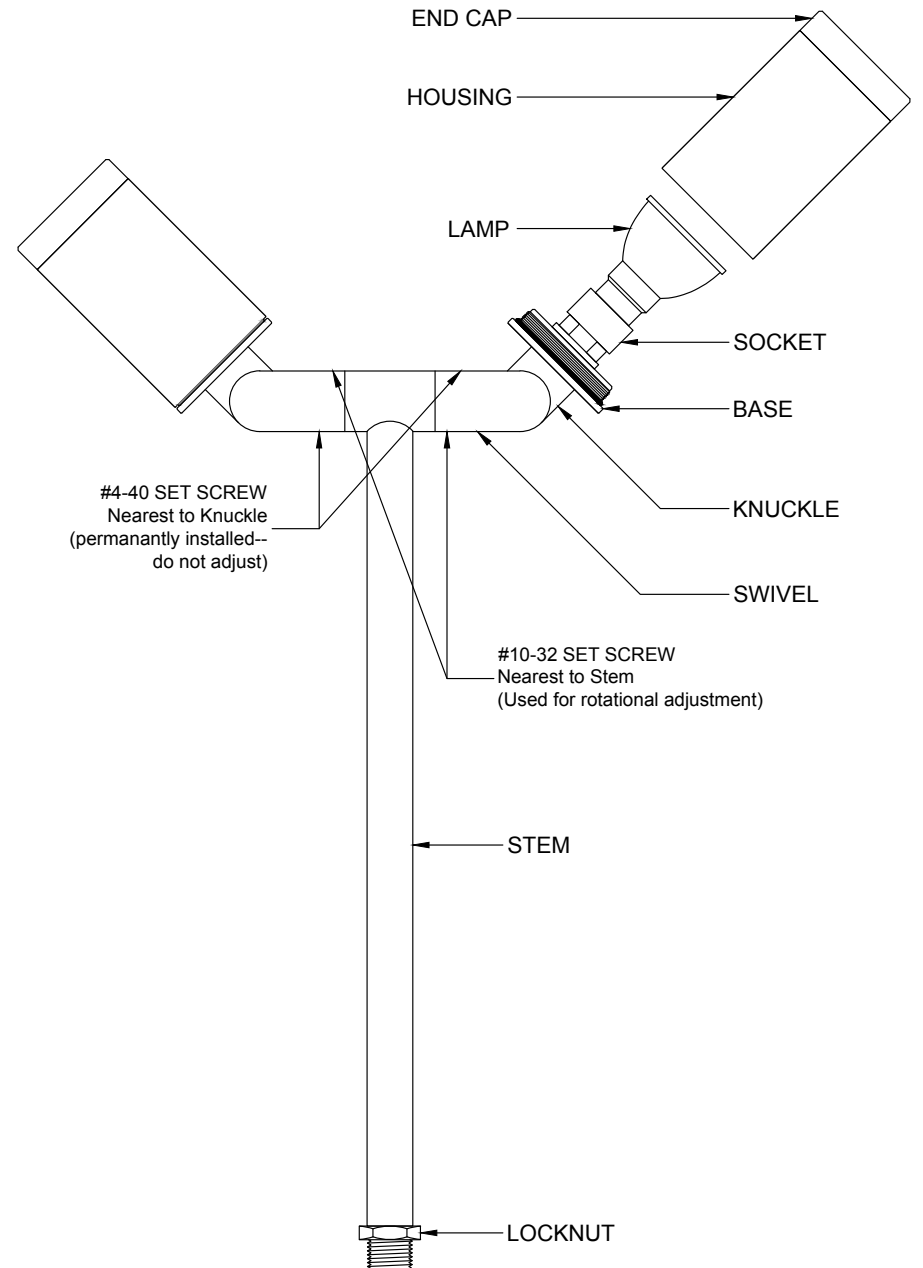
INSTALLATION

This fixture is to be mounted to an anchored junction box or in-ground mounting spike.

1. Verify that the power is off.
2. Feed the wire leads from the fixture through the Locknut (if not already attached) and junction box or ground spike cover.
3. Thread the Locknut fully onto the Stem and then thread the Stem into the cover.
4. Note the direction the fixture will face when the cover is attached. Aim the fixture and tighten the Locknut down tight to the cover.
5. Use silicone-filled wire nuts to join fixture wires and wires from power source as shown in the diagram: one of the white leads connects to hot, the other to neutral, and green to ground. Use silicone or electrical tape around wire nuts to ensure proper connection.
6. Push the connections into the junction box/ground spike and attach cover.
7. The fixture heads can be angled by loosening the bolt in the Knuckle with a 5/32" hex wrench and rotated by loosening the larger of the two set screws in the Swivel with a 3/32" hex wrench. (The smaller set screw in the Swivel closest to the Knuckle end is permanently installed and should not be loosened.)
8. Aim fixture heads to achieve desired illumination effect.
9. Once aimed, tighten the bolts loosened in Step 7.

LAMPING

1. Turn the Housing counterclockwise to unscrew it from the Base. (The Endcap assembly is permanently attached to the Housing. Do not attempt to unscrew this piece.)
2. Holding the lamp at its base, rotate it almost 1/4 turn counter-clockwise and pull up to remove.
3. Holding the new lamp at its base, insert the pins into the socket and turn clockwise until it stops.
4. Screw the Housing back onto the fixture Base. Do not overtighten.



CSA Listed, file # 190030



808-405-6732

www.BeachsideLighting.com

