

L-011-S2

LAMP TYPE: MR16, GU5.3 bi-pin base (x2); Maximum 15W LED, 50W halogen
SUITABLE FOR INDOOR USE (Max 15W LED, 20W halogen)

Fixture may be installed less than 5 ft (1.5 m) from the inside walls of a pool, spa, or fountain when supplied by listed transformers or power supplies that comply with NEC 680.23(A)(2).



WARNING — RISK OF ELECTRIC SHOCK. This product must be installed in accordance with the applicable installation code by a person familiar with the construction and operation of the product and the hazards involved. Failure to do so may result in serious personal injury or death.

For luminaires equipped with halogen lamps:

INSTRUCTIONS PERTAINING TO A RISK OF FIRE OR INJURY TO PERSONS IMPORTANT SAFETY INSTRUCTIONS SAVE THESE INSTRUCTIONS

Lighted lamp is HOT!

WARNING — To reduce the risk of FIRE OR INJURY TO PERSONS:

- Turn off/unplug and allow to cool before replacing lamp.
- Lamp gets HOT quickly! Contact only switch/plug when turning on.
- Do not touch hot lens or enclosure.
- Keep lamp away from materials that may burn.
- Do not touch the lamp at any time. Use a soft cloth. Oil from skin may damage lamp.
- Do not operate the luminaire fitting with a missing or damaged lens or housing.

This is a low-voltage fixture for use with maximum 25A, 15V power units only. A remote transformer is required. Do not overload the transformer by installing or relamping with higher wattage lamps that together exceed the capacity of the transformer. Protect the fixture wiring by routing in close proximity to the luminaire or fitting, or next to a structure like a house or deck. Do not bury except for a maximum 6 inches (15.2 cm) to connect to the main low-voltage cable. Trim fixture wires so connection is made within 6 inches (15.2 cm) from a building structure, luminaire, or fitting. Contact Beachside Lighting below to order main low voltage cable and accessories.

- FOR USE WITH LANDSCAPE LIGHTING POWER SUPPLY ONLY
- THIS DEVICE IS ACCEPTED AS A COMPONENT OF A LANDSCAPE LIGHTING SYSTEM WHERE THE SUITABILITY OF THE COMBINATION SHALL BE DETERMINED BY THE LOCAL INSPECTION AUTHORITIES HAVING JURISDICTION
- DO NOT CONNECT TWO OR MORE POWER SUPPLIES IN PARALLEL
- LANDSCAPE LIGHTING SYSTEMS ARE FOR OUTDOOR USE ONLY
- NOT FOR USE IN DWELLING UNITS
- A luminaire shall not use tungsten halogen lamps unless the luminaire is marked for such lamps

INSTALLATION

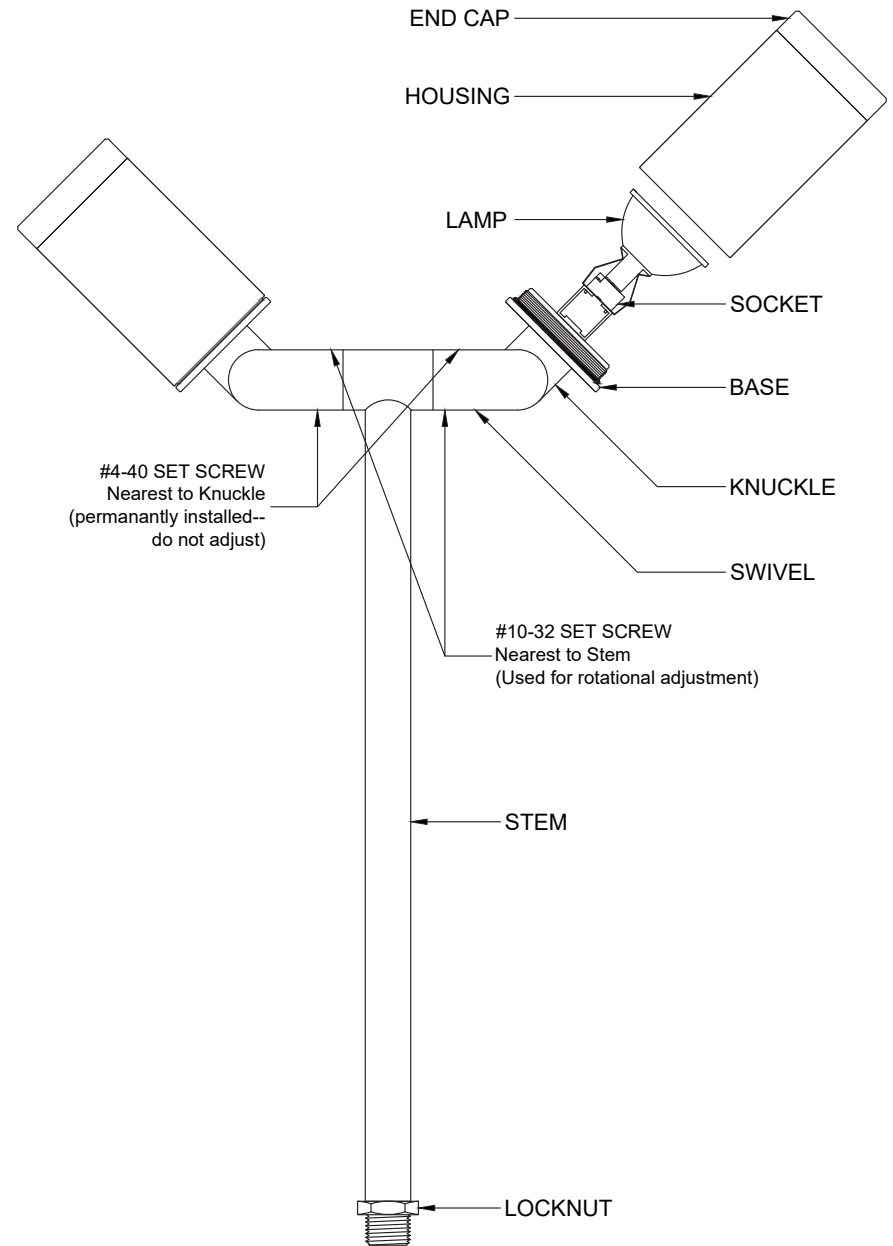
This fixture is to be mounted to an anchored junction box or in-ground mounting spike.

1. Verify that power is OFF.
2. Feed wire leads from fixture through Locknut and junction box/ground spike Cover.
3. Thread Locknut fully onto Stem, then thread Stem into Cover.
4. Aim fixture and tighten Locknut against Cover.
5. Use silicone-filled wire nuts to join fixture wires and wires from power source. Use silicone or electrical tape around wire nuts to ensure proper connection.
6. Push connections into junction box or ground spike and attach Cover.
7. Fixture head can be angled by loosening the Knuckle screw with a 5/32" hex wrench and rotated by loosening the larger of the two set screws in the Swivel with a 3/32" hex wrench. (The smaller set screw, closest to the Knuckle end, is permanently installed and should not be loosened.)
8. Aim fixture head to achieve desired illumination effect and tighten bolts loosened in Step 7.

RELAMPING

1. Unscrew Housing from Base by turning it counterclockwise. (Lens/Endcap assembly is permanently attached to the Housing—do not attempt to unscrew.)

2. Hold Lamp at its base and pull straight up to remove from Socket.
3. Align pins of the new Lamp with holes in Socket and insert by pushing straight down.
4. Screw Housing back onto fixture Base.



CSA Listed, File # 190030
www.BeachsideLighting.com
808-405-6732

