

L-017-A

LAMP TYPE: 120V/230V MR16, GX10 bi-pin base, ANSI type M130 or M156
Maximum 39 Watts metal halide
SUITABLE FOR WET LOCATIONS

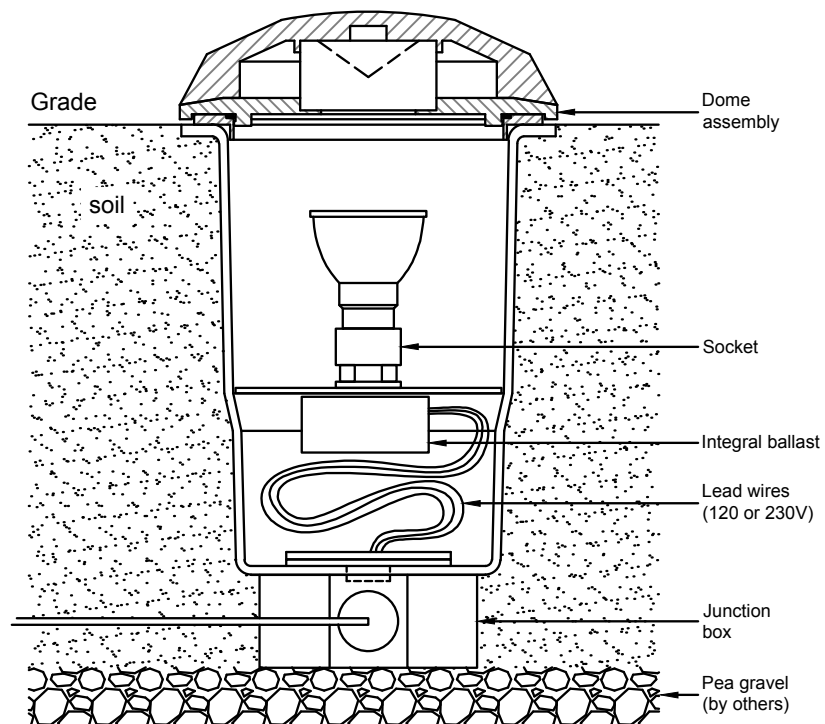
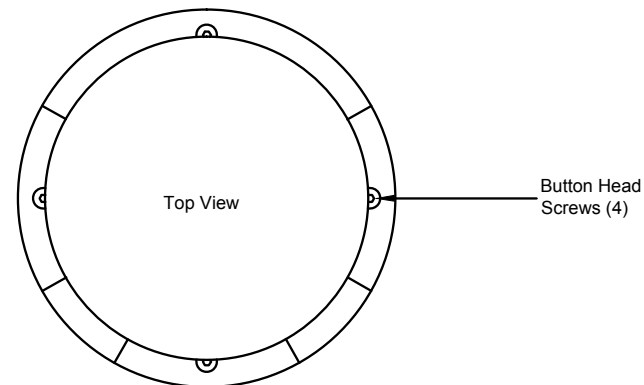
WARNING — Risk of Electric Shock. Verify that power is OFF before installing this fixture. This fixture must be installed in accordance with the National Electric Code and/or local codes. Failure to do so may result in serious personal injury or death. Wiring must be done by a licensed electrician.

INSTALLATION

1. Dig a minimum 12" diameter x 13" deep hole at desired location, and a trench for the fixture cord to join main wiring.
2. Fill the hole with pea gravel 3-4" deep.
3. Place fixture in hole, positioning it as desired.
4. Using the supplied silicone-filled wire nuts, join the main wires to the fixture leads—black to black, white to white—as shown in the diagram. Make sure the green fixture wire is joined to the ground wire(s). Use silicone or electrical tape around wire nuts to ensure proper connection.
5. Back fill hole with dirt, sloping it away from fixture's top cover. For concrete installation, fill hole first with enough dirt to cover the wires, then fill the rest of the hole with concrete. Do not exceed the height of the factory-installed concrete ring (CR). Slope concrete away from fixture's top cover.

LAMPING

1. Unscrew the four button-head screws in the Dome Assembly with a 1/8" hex wrench; remove Dome.
2. Holding the lamp at its base, twist lamp counter-clockwise almost 1/4 turn. Pull up to remove from socket.
3. Holding the new lamp at its base, align the lamp pins with the holes in the socket, insert the new lamp into the socket, and turn clockwise about 1/4 turn until it stops.
4. Replace Dome Assembly and the four screws.



CSA Listed, file # 190030



808-405-6732

www.BeachsideLighting.com

