

# L-017

**LAMP TYPE: 12V, MR16, GU5.3 bi-pin base**  
**Maximum 15 Watts LED, 50 Watts halogen**

**WARNING** — Risk of Electric Shock. Install all luminaires 10 feet (3.05 m) or more from a pool, spa, or fountain. Verify that power is OFF before installing this fixture. This fixture must be installed in accordance with the National Electric Code and/or local codes. Failure to do so may result in serious personal injury or death. Wiring must be done by a licensed electrician.

## **INSTRUCTIONS PERTAINING TO A RISK OF FIRE, OR INJURY TO PERSONS**

### **IMPORTANT SAFETY INSTRUCTIONS**

Lighted lamp is HOT!

**WARNING** – To reduce the risk of FIRE OR INJURY TO PERSONS:

- Turn off/unplug and allow to cool before replacing lamp.
- Lamp gets HOT quickly! Contact only switch/plug when turning on. Low voltage luminaires can become very hot, depending on the lamp wattage used. Glass lens and metal areas around lamp can become hot enough to blister hands. Particular care should be taken not to locate fixtures where small children can reach them if higher wattages are used.
- Do not touch hot lens, guard, or enclosure.
- Keep lamp away from materials that may burn.
- Do not touch the lamp at any time. Use a soft cloth. Oil from skin may damage lamp.
- Do not operate the luminaire fitting with a missing or damaged shield.

### **SAVE THESE INSTRUCTIONS**

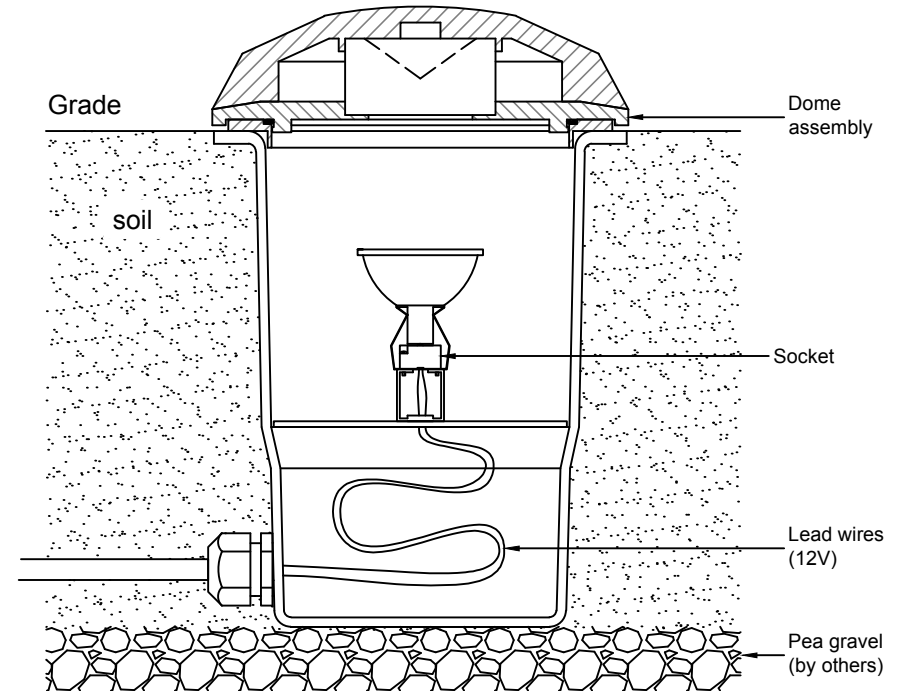
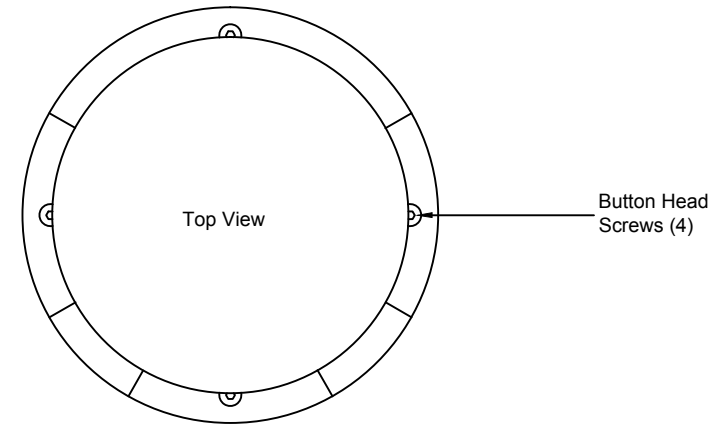
This is a low-voltage fixture for use with maximum 25A, 15V power units only. A remote transformer is required. Do not overload the transformer by installing or relamping with higher wattage lamps that together exceed the capacity of the transformer. The low-voltage cable shall: a) be protected by routing in close proximity to the luminaire or fitting, or next to a building structure such as a house or deck; b) not be buried except for a maximum 6 inches (15.2 cm) in order to connect to the main low-voltage cable; and c) have the length cut off so that it is connected to a connector within 6 inches (15.2 cm) from a building structure, a luminaire, or fitting.

### **INSTALLATION**

1. Dig a minimum 12" diameter x 13" deep hole at desired location, and a trench for the fixture cord to join wiring from transformer.
2. Fill the hole with pea gravel 3-4" deep.
3. Position fixture in hole as desired.
4. Verify that the power is off. Use the supplied silicone-filled wire nuts to join the main wires to the fixture leads.
5. Back fill hole with dirt, sloping it away from fixture's top dome. For concrete installation, fill hole first with enough dirt to cover the wires, then fill the rest of the hole with concrete. Do not exceed the height of the factory-installed concrete ring (CR). Slope concrete away from fixture's top dome.

### **LAMPING**

1. Remove the Dome Assembly by unscrewing the four button-head screws with a 1/8" hex wrench.
2. Holding the lamp at its base, pull straight up to remove from socket.
3. Holding the new lamp at its base, align the lamp pins with the holes in the socket and insert by pushing straight down.
4. Replace Dome Assembly and the four screws.



808-405-6732

[www.BeachsideLighting.com](http://www.BeachsideLighting.com)

CSA Listed, file # 190030