

L-018-120V

LAMP TYPE: MR16, GU10 bi-pin base
Maximum 15 Watts LED, 50 Watts halogen
SUITABLE FOR WET LOCATIONS.

WARNING — Risk of Electric Shock. Verify that power is OFF before installing this fixture. This fixture must be installed in accordance with the National Electric Code and/or local codes. Failure to do so may result in serious personal injury or death. Wiring must be done by a licensed electrician.

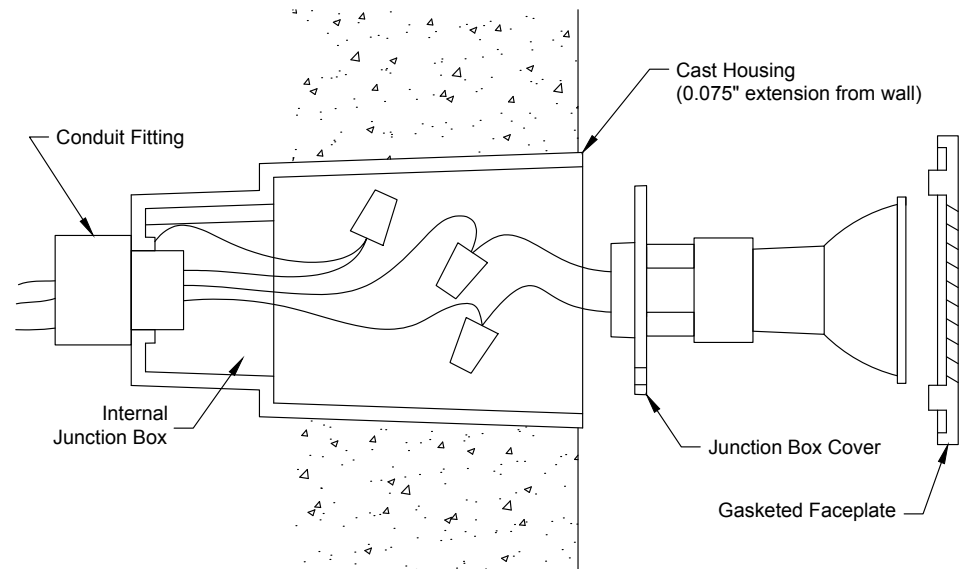
INSTALLATION

This fixture mounts horizontally into a vertical surface. For masonry installation only.

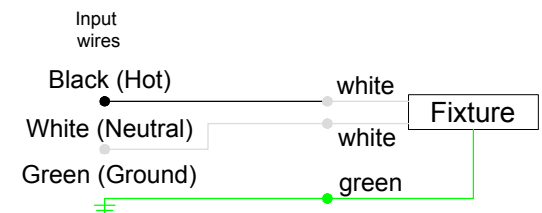
1. Once position in the desired location, pour around the fixture's cast brass Housing. Open end of housing should extend 5/64" past the finish surface so the Faceplate's gasket compresses against the Housing when attached.
2. Four (4) conduit entries are located in the rear and sides of the Housing's internal junction box, accessed by removing the gasketed brass cover. Feed the power supply wires into the box, leaving at least 12" extra length.
3. Use silicone-filled wire nuts (supplied) to join the fixture leads to the power supply wires as shown in the diagram: one of the white leads connects to hot, the other to neutral, and green to ground. Use silicone or electrical tape around the wire nuts to ensure proper connection.
4. Push the connections into the junction box and attach cover.
5. Fasten the brass Faceplate onto Housing using 1/8" hex wrench, compressing gasket to create a seal.

LAMPING

1. Remove Faceplate.
2. Holding the lamp at its base, rotate it almost 1/4 turn counter-clockwise and pull away from socket to remove.
3. Holding the new lamp at its base, insert the pins into the socket and turn clockwise until it stops.
4. Replace Faceplate, ensuring gasket is contacting the Housing and creating an adequate seal.



808-405-6732
www.BeachsideLighting.com



CSA Listed, file # 190030