

M-SERIES LED 120V

Includes 120V models M3, M5, M6, M7, and M8

LAMP TYPE: MR16 GU10 bi-pin base — Maximum 20 Watts LED or halogen

SUITABLE FOR WET LOCATIONS



WARNING — Risk of Electric Shock. Verify that power is OFF before installing this fixture. This fixture must be installed in accordance with the National Electric Code and local codes. Failure to do so may result in serious personal injury or death. Wiring must be done by a licensed electrician.

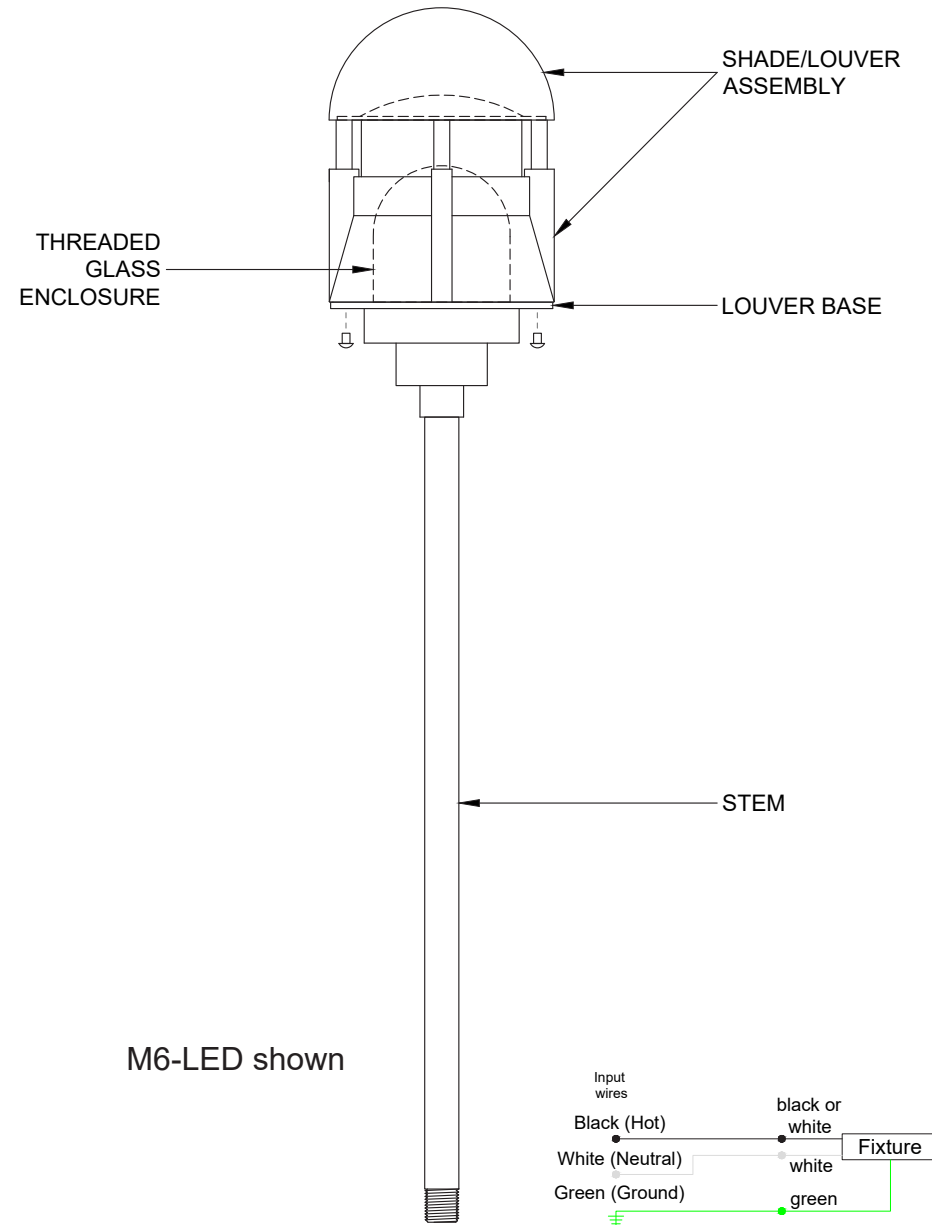
INSTALLATION

This fixture is to be mounted to an anchored junction box or in-ground mounting spike. Before threading fixture's Stem into mounting accessory, use silicone sealant on the male threads at the base of the Stem. The Stem must be screwed in fully for stability.

1. Verify that power to the fixture is off.
2. Feed the wire leads from the fixture through the cover of the junction box or ground spike and thread the cover fully onto the Stem.
3. Use silicone-filled wire nuts (supplied) to join the fixture leads to the power supply wires as shown in the diagram: one of the white leads connects to hot, the other to neutral, and green to ground. If one of the leads is black, connect that lead to hot. Use silicone or electrical tape around the wire nuts to ensure proper connection.
4. Push the connections into the junction box/ground spike and attach cover.

LAMPING

1. Remove the screws securing the Shade/Louver Assembly to the Louver Base with a 1/8" hex wrench. Turn the Threaded Glass Enclosure counter-clockwise to remove.
2. Using a soft cloth, grasp the lamp and twist it almost 1/4 turn counterclockwise and pull straight up to remove from socket.
3. Align the pins of the new lamp with the holes in the socket, push the lamp pins straight down into the socket, and turn clockwise until it stops.
4. Replace the Glass Enclosure, threading it completely down onto the gasket.
5. Reinstall the Shade/Louver Assembly and replace the screws to secure.



CSA Listed
File # 190030
www.BeachsideLighting.com
808-405-6732

