

# M-SERIES LED 12V

**LAMP TYPE: MR16 LED, GU5.3 bi-pin base, Maximum 15 Watts;  
Includes 12V models M3, M5, M6, M7, and M8**

**WARNING** — Risk of Electric Shock. Install all luminaires 10 feet (3.05 m) or more from a pool, spa, or fountain. Verify that power is OFF before installing this fixture. This fixture must be installed in accordance with the National Electric Code and/or local codes. Failure to do so may result in serious personal injury or death. Wiring must be done by a licensed electrician.

## **INSTRUCTIONS PERTAINING TO A RISK OF FIRE, OR INJURY TO PERSONS IMPORTANT SAFETY INSTRUCTIONS**

Lighted lamp is HOT!

**WARNING** – To reduce the risk of FIRE OR INJURY TO PERSONS:

- Turn off/unplug and allow to cool before replacing lamp.
- Lamp gets HOT quickly! Contact only switch/plug when turning on. Low voltage luminaires can become very hot, depending on the lamp wattage used. Glass lens and metal areas around lamp can become hot enough to blister hands. Particular care should be taken not to locate fixtures where small children can reach them if higher wattages are used.
- Do not touch hot lens, guard, or enclosure.
- Keep lamp away from materials that may burn.
- Do not touch the lamp at any time. Use a soft cloth. Oil from skin may damage lamp.
- Do not operate the luminaire fitting with a missing or damaged cap assembly.

## **SAVE THESE INSTRUCTIONS**

This is a low-voltage fixture for use with maximum 25A, 15V power units only. A remote transformer is required. Do not overload the transformer by installing or relamping with higher wattage lamps that together exceed the capacity of the transformer. The low-voltage cable shall: a) be protected by routing in close proximity to the luminaire or fitting, or next to a building structure such as a house or deck; b) not be buried except for a maximum 6 inches (15.2 cm) in order to connect to the main low-voltage cable; and c) have the length cut off so that it is connected to a connector within 6 inches (15.2 cm) from a building structure, a luminaire, or fitting. Contact Beachside Lighting for direct burial wire for use as main secondary wiring.

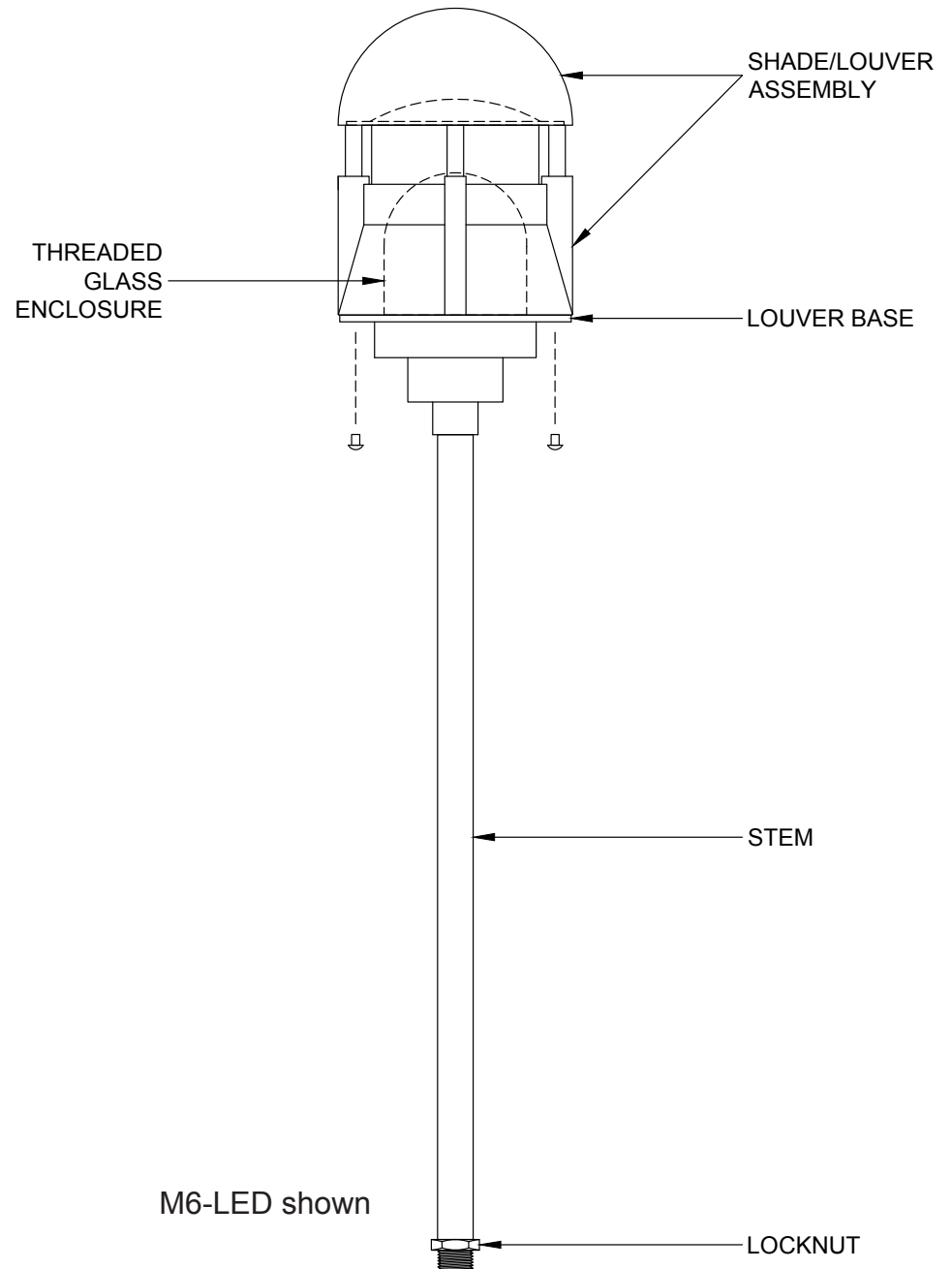
## **INSTALLATION**

This fixture is to be mounted to an anchored junction box or in-ground mounting spike. Before threading fixture's Stem into mounting accessory, use silicone sealant on the male threads at the base of the Stem. The Stem must be screwed in fully clockwise for stability.

1. Verify that the power is off.
2. Feed the wire leads from the fixture through the Locknut and junction box/ground spike cover.
3. Thread the Locknut fully onto the Stem and then thread the Stem into the junction box/ground spike cover.
4. Tighten the Locknut down tight to the junction box or spike cover.
5. Use silicone-filled wire nuts to join fixture wires and wires from power source. Use silicone or electrical tape around wire nuts to ensure proper connection.
6. Push the connections into the junction box/ground spike and attach cover.

## **LAMPING**

1. Remove the screws securing the Shade/Louver Assembly to the Louver Base with a 1/8" hex wrench. Turn the Threaded Glass Enclosure counter-clockwise to remove.
2. Using a soft cloth, grasp the lamp and pull straight up to remove from socket.
3. Align the pins of the new lamp with the holes in the socket and push the lamp straight down into the socket.
4. Replace the Glass Enclosure, threading it completely down onto the gasket. Reinstall the Shade/Louver Assembly and replace the screws to secure.



808-405-6732

[www.BeachsideLighting.com](http://www.BeachsideLighting.com)

CSA Listed, file # 190030