

# MB-SERIES 120V LED

Includes 120V models MB3, MB5, MB6, MB7, and MB8

LAMP TYPE: MR16 GU10 bi-pin base — Maximum 20 Watts LED or halogen

SUITABLE FOR WET LOCATIONS



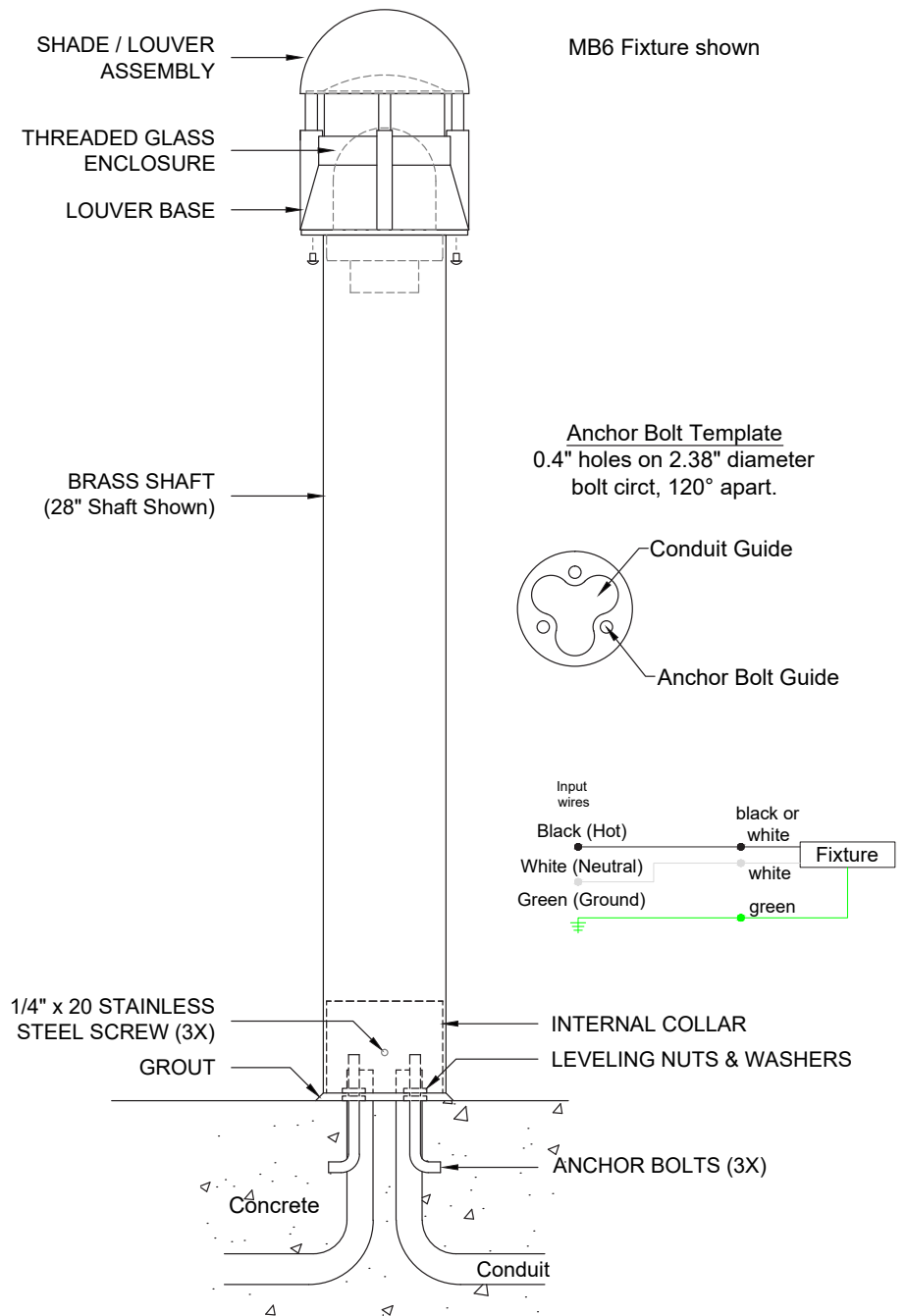
WARNING — Risk of Electric Shock. Verify that power is OFF before installing this fixture. This fixture must be installed in accordance with the National Electric Code and local codes. Failure to do so may result in serious personal injury or death. Wiring must be done by a licensed electrician.

## INSTALLATION

1. Dig a minimum 12" diameter x 20" deep hole at desired fixture location.
2. Place 3/4" conduit fittings so they extend approximately 1" above grade. Use the Internal Collar as a template to position conduit. A special bollard template may be ordered from Beachside Lighting for this purpose in advance of receipt of fixture. Begin filling hole with concrete.
3. Use brass Collar or template to position (3) anchor bolts. Leave 1-1/2" of exposed thread above final top level of concrete.
4. Use fixture's Internal Collar to check alignment before concrete sets up.
5. After curing, thread one leveling nut down to the bottom of the threads on each anchor bolt, followed by one washer per bolt.
6. Install the Collar and turn the nuts up or down to make leveling adjustments.
7. When level, install a second washer and nut onto each bolt and tighten to secure the Collar.
8. Feed main wires through conduit so they're at least 6" past the top of the Collar.
9. Use silicone-filled wire nuts (supplied) to join the fixture leads to the power supply wires as shown in the diagram: one of the white leads connects to hot, the other to neutral, and green to ground. If one of the leads is black, connect that lead to hot. Use silicone or electrical tape around the wire nuts to ensure proper connection. Push the connections up into the Shaft.
10. Slide the fixture Shaft down over the Collar. Use a 5/32" hex wrench to fasten the base of the Shaft to the Internal Collar.

## RELAMPING

1. Remove the screws securing the Shade/Louver Assembly to the Louver Base with a 1/8" hex wrench. Turn the Threaded Glass Enclosure counter-clockwise to remove.
2. Using a soft cloth, grasp the lamp and twist it almost 1/4 turn counterclockwise. Pull straight up to remove from socket.
3. Align the pins of the new lamp with the holes in the socket, push the lamp pins straight down into the socket, and turn clockwise until it stops.
4. Replace the Glass Enclosure, threading it completely down onto the gasket. Reinstall the Shade/Louver Assembly and replace the screws to secure.



CSA Listed  
File # 190030  
www.BeachsideLighting.com  
808-405-6732



