

MB-SERIES LED 12V

Includes 12V models MB3, MB5, MB6, MB7, and MB8

LAMP TYPE: GU5.3 MR16 bi-pin — Max 15 Watts LED, 35 Watts halogen
LED Module — Max 12 Watts

WARNING — Risk of Electric Shock. Install all luminaires 10 feet (3.05 m) or more from a pool, spa, or fountain. Verify that power is OFF before installing this fixture. This fixture must be installed in accordance with the National Electric Code and/or local codes. Failure to do so may result in serious personal injury or death. Wiring must be done by a licensed electrician.

For luminaires equipped with halogen lamps:

INSTRUCTIONS PERTAINING TO A RISK OF FIRE OR INJURY TO PERSONS
IMPORTANT SAFETY INSTRUCTIONS **SAVE THESE INSTRUCTIONS**
Lighted lamp is HOT!

WARNING — To reduce the risk of FIRE OR INJURY TO PERSONS:

- Turn off/unplug and allow to cool before replacing lamp.
- Lamp gets HOT quickly! Contact only switch/plug when turning on.
- Do not touch hot lens or faceplate.
- Keep lamp away from materials that may burn.
- Do not touch the lamp at any time. Use a soft cloth. Oil from skin may damage lamp.
- Do not operate the luminaire fitting with a missing or damaged glass enclosure and shade.

This is a low-voltage fixture for use with maximum 25A, 15V power units only. A remote transformer is required. Do not overload the transformer by installing or relamping with higher wattage lamps that together exceed the capacity of the transformer. The unit low-voltage cable shall: a) be protected by routing in close proximity to the luminaire or fitting, or next to a building structure such as a house or deck; b) not be buried except for a maximum 6 inches (15.2 cm) in order to connect to the main low-voltage cable; and c) have the length cut off so that it is connected to a connector within 6 inches (15.2 cm) from a building structure, a luminaire, or fitting. Contact Beachside Lighting for low voltage cable and direct burial wire for use as main secondary wiring.

- FOR USE WITH LANDSCAPE LIGHTING POWER SUPPLY ONLY
- THIS DEVICE IS ACCEPTED AS A COMPONENT OF A LANDSCAPE LIGHTING SYSTEM WHERE THE SUITABILITY OF THE COMBINATION SHALL BE DETERMINED BY THE LOCAL INSPECTION AUTHORITIES HAVING JURISDICTION
- DO NOT CONNECT TWO OR MORE POWER SUPPLIES IN PARALLEL
- LANDSCAPE LIGHTING SYSTEMS ARE FOR OUTDOOR USE ONLY
- NOT FOR USE IN DWELLING UNITS
- A luminaire shall not use tungsten halogen lamps unless the luminaire is marked for such lamps

INSTALLATION

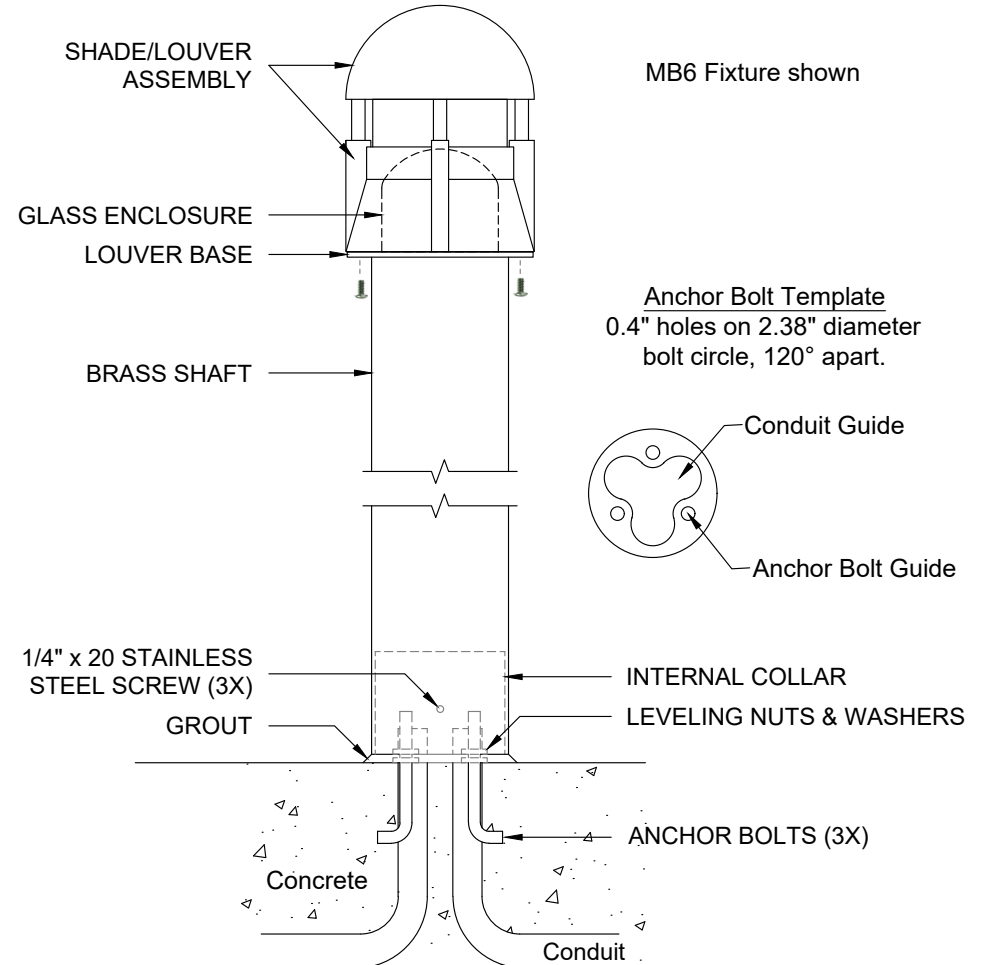
1. Dig a minimum 12" diameter x 20" deep hole at desired fixture location.
2. Place 3/4" conduit fittings so they extend approximately 1" above grade. Use the Internal Collar as a template to position conduit. A special bollard template may be ordered from Beachside Lighting for this purpose in advance of receipt of fixture. Begin filling hole with concrete.
3. Use brass Collar or template to position the three anchor bolts. Leave 1-1/2" of exposed thread above final top level of concrete.
4. Use fixture's Internal Collar to check anchor bolt alignment before concrete sets up.
5. After curing, thread one leveling nut down to the bottom of the threads on each anchor bolt, followed by one washer per bolt.
6. Install the Collar and turn the nuts up or down to make leveling adjustments.
7. When level, install a second washer and nut onto each bolt and tighten to secure the Collar.
8. Feed main wires through conduit so they're at least 6" past the top of the Collar.
9. Using the supplied silicone-filled wire nuts, join the main wires to the fixture leads and push the connections up into the Shaft.
10. Slide the fixture Shaft down over the Collar. Twist to aligning the three holes in each. Use a 5/32" hex wrench to fasten the Shaft to the Collar with the supplied 1/4-20 button-head screws.

LAMPING — BI-PIN

1. Remove the screws securing the Shade/Louver Assembly to the Louver Base with a 1/8" hex wrench. Turn the threaded Glass Enclosure counter-clockwise to remove.
2. Using a soft cloth, grasp the lamp and pull straight up to remove from socket.
3. Align the pins of the new lamp with the holes in the socket and push the lamp straight down into the socket.
4. Replace the Glass Enclosure, threading it completely down onto the gasket. Reinstall the Shade/Louver Assembly and replace the screws to secure.

LAMPING - LIGHT ENGINE

This fixture has a long-life LED Module that should not need replacement for years. However, if a Module fails or technology improves and a new one is desired, please contact Beachside Lighting (808-263-5717) for a replacement and instructions.



CSA Listed, file # 190030
808-405-6732
www.BeachsideLighting.com



