

MB2 120V

**LAMP TYPE: MR16 LED, GU10 bi-pin base, Maximum 20 Watts;
MR16 halogen, Maximum 50 Watts
SUITABLE FOR WET LOCATIONS**

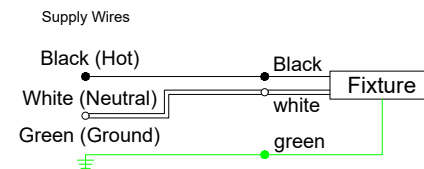
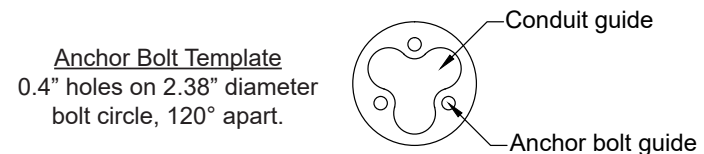
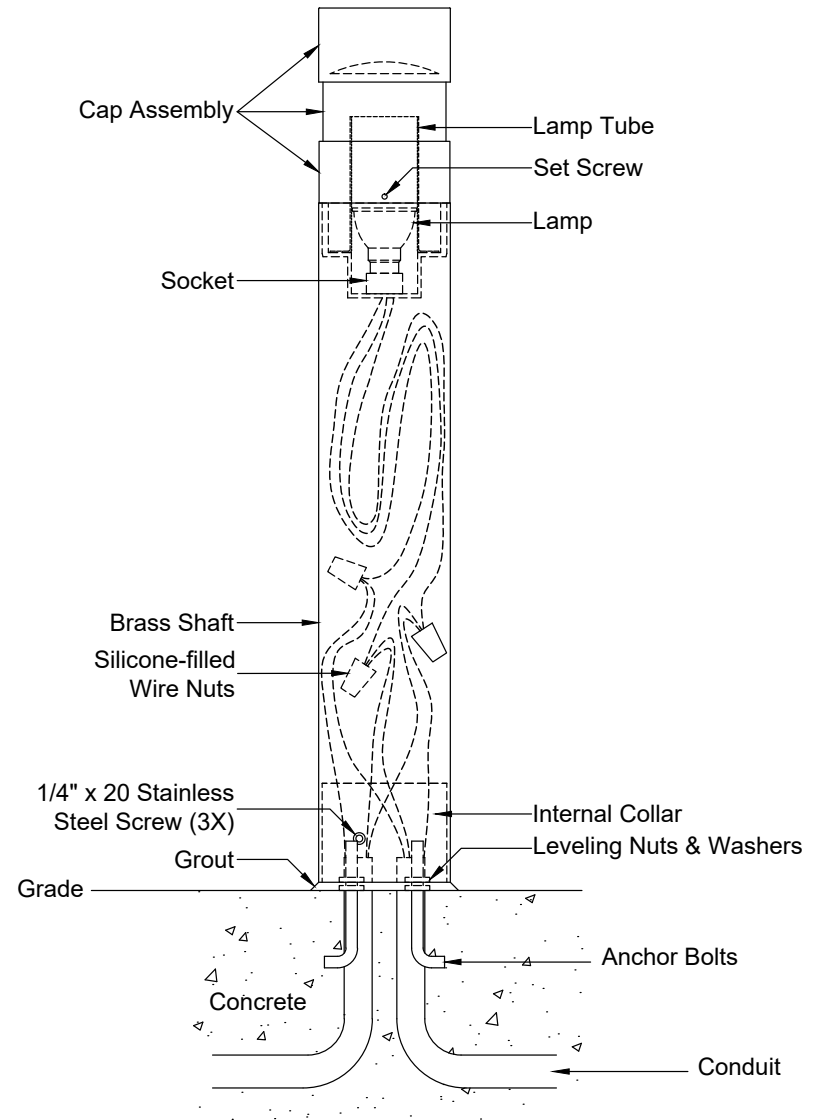
WARNING — Risk of Electric Shock. Verify that power is OFF before installing this fixture. This fixture must be installed in accordance with the National Electric Code and/or local codes. Failure to do so may result in serious personal injury or death. Wiring must be done by a licensed electrician.

INSTALLATION

1. Dig a minimum 12" diameter x 20" deep hole at desired fixture location.
2. Place 3/4" conduit fittings so they extend approximately 1" above grade. Use the Internal Collar as a template to position conduit. A special bollard template may be ordered from Beachside Lighting for this purpose in advance of receipt of fixture. Begin filling hole with concrete.
3. Use brass Collar or template to position (3) anchor bolts. Leave 1-1/2" of exposed thread above final top level of concrete.
4. Use fixture's Internal Collar to check alignment before concrete sets up.
5. After curing, thread one leveling nut down to the bottom of the threads on each anchor bolt, followed by one washer per bolt.
6. Install the Collar and turn the nuts up or down to make leveling adjustments.
7. When level, install a second washer and nut onto each bolt and tighten to secure the Collar.
8. Feed main wires through conduit so they're at least 6" past the top of the Collar.
9. Use silicone-filled wire nuts (supplied) to join the fixture leads to the power supply wires as shown in the diagram: black lead connects to hot, white to neutral, and green to ground. Use silicone or electrical tape around the wire nuts to ensure proper connection. Push the connections up into the Shaft.
10. Slide the fixture Shaft down over the Collar. Use a 5/32" hex wrench to fasten the base of the Shaft to the Internal Collar.

LAMPING / RELAMPING

1. Loosen—but do not remove—the set screw at the bottom of the Cap Assembly.
2. Slide the Cap Assembly up to remove from Shaft, exposing the lamp.
3. Remove the Lamp Tube by unscrewing the two #8 Phillips-head screws at its base.
4. Using a soft cloth, grasp the lamp and twist it almost 1/4 turn counterclockwise. Pull straight up to remove from socket.
5. Align the pins of the new lamp with the holes in the socket, push the lamp pins straight down into the socket, and turn clockwise until it stops.
6. Replace the Lamp Tube over the lamp and reinstall its two screws.
7. Replace the Cap Assembly and tighten the set screw to secure.



808-405-6732

www.BeachsideLighting.com

CSA Listed, file # 190030