

# MB2 Metal Halide

**LAMP TYPE: MR16 metal halide, GX10 bi-pin base, ANSI type M130 or M156**  
**Maximum 39 Watts**  
**SUITABLE FOR WET LOCATIONS.**

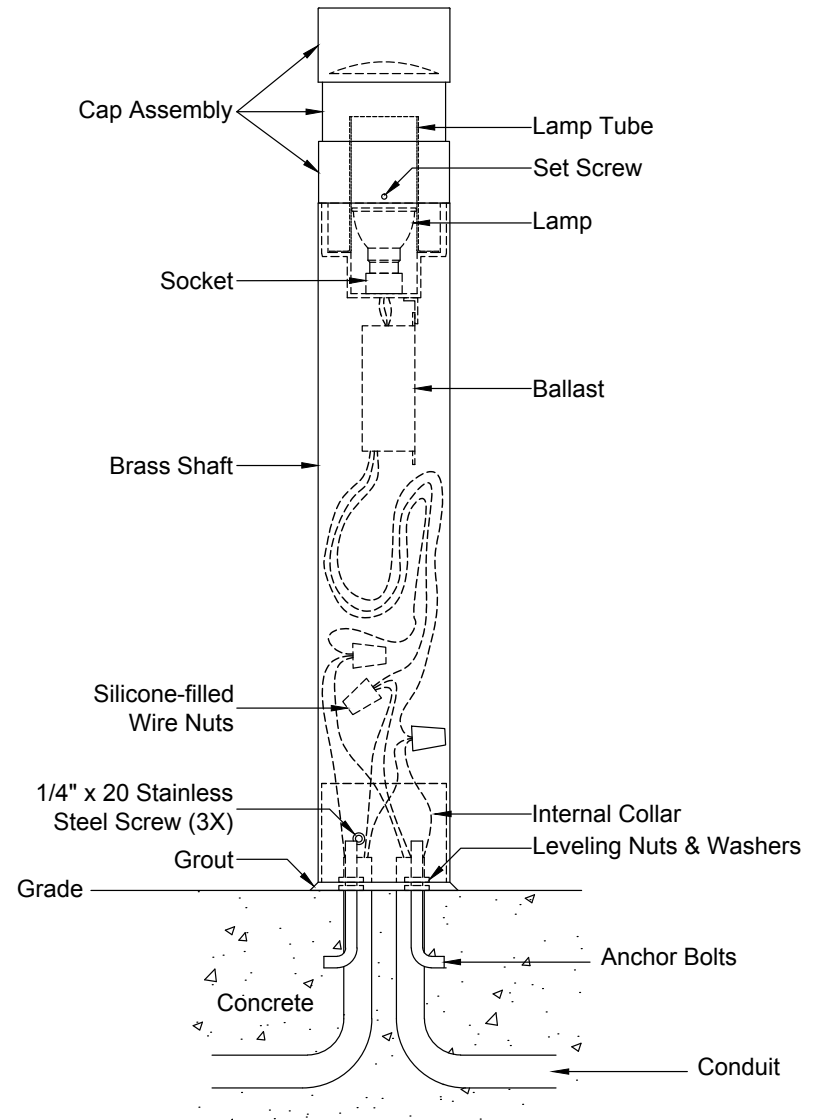
**WARNING** — Risk of Electric Shock. Verify that power is OFF before installing this fixture. This fixture must be installed in accordance with the National Electric Code and/or local codes. Failure to do so may result in serious personal injury or death. Wiring must be done by a licensed electrician.

## INSTALLATION

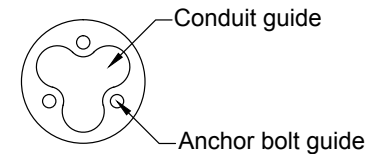
1. Dig a minimum 12" diameter x 20" deep hole at desired fixture location.
2. Place 3/4" conduit fittings so they extend approximately 1" above grade. Use the Internal Collar as a template to position conduit. A special bollard template may be ordered from Beachside Lighting for this purpose in advance of receipt of fixture. Begin filling hole with concrete.
3. Use brass Collar or template to position (3) anchor bolts. Leave 1-1/2" of exposed thread above final top level of concrete.
4. Use fixture's Internal Collar to check anchor bolt alignment before concrete sets up.
5. After curing, thread one leveling nut down to the bottom of the threads on each anchor bolt, followed by one washer per bolt.
6. Install the Collar and turn the nuts up or down to make leveling adjustments.
7. When level, install a second washer and nut onto each bolt and tighten to secure the Collar.
8. Feed main wires through conduit so they're at least 6" past the top of the Collar.
9. Using the supplied silicone-filled wire nuts, join the main wires to the fixture leads as shown in the diagram and push the connections up into the Shaft. Ensure the green fixture wire is joined to the ground wire(s).
10. Slide the fixture Shaft down over the Collar. Use a 5/32" hex wrench to fasten the base of the Shaft to the Internal Collar.

## LAMPING / RELAMPING

1. Loosen—but do not remove—the set screw at the bottom of the Cap Assembly.
2. Slide the Cap Assembly up to remove from Shaft, exposing the lamp.
3. Remove the Lamp Tube by unscrewing the two #8 Phillips-head screws at its base.
4. Using a soft cloth, grasp the lamp and twist it almost 1/4 turn counterclockwise. Pull straight up to remove from socket.
5. Align the pins of the new lamp with the holes in the socket, push the lamp pins straight down into the socket, and turn clockwise until it stops.
6. Replace the Lamp Tube over the lamp and reinstall its two screws.
7. Replace the Cap Assembly and tighten the set screw to secure.

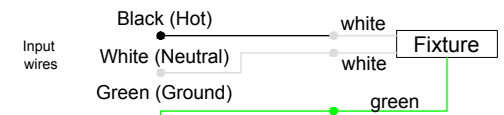


Anchor Bolt Template  
 0.4" holes on 2.38" diameter  
 bolt circle, 120° apart.



808-405-6732

www.BeachsideLighting.com



CSA Listed, file # 190030

