

RP 12V

LAMP TYPE: G4 bi-pin base — Maximum 5 Watts LED FOR OUTDOOR USE ONLY

WARNING — Risk of Electric Shock. Install all luminaires 10 feet (3.05 m) or more from a pool, spa, or fountain. Verify that power is OFF before installing this fixture. This fixture must be installed in accordance with the National Electric Code and/or local codes. Failure to do so may result in serious personal injury or death. Wiring must be done by a licensed electrician.

This is a low-voltage fixture for use with maximum 25A, 15V power units only. A remote transformer is required. Do not overload the transformer by installing or relamping with higher wattage lamps that together exceed the capacity of the transformer. The unit low-voltage cable shall: a) be protected by routing in close proximity to the luminaire or fitting, or next to a building structure such as a house or deck; b) not be buried except for a maximum 6 inches (15.2 cm) in order to connect to the main low-voltage cable; and c) have the length cut off so that it is connected to a connector within 6 inches (15.2 cm) from a building structure, a luminaire, or fitting. Contact Beachside Lighting for low voltage cable and direct burial wire for use as main secondary wiring.

- FOR USE WITH LANDSCAPE LIGHTING POWER SUPPLY ONLY
- THIS DEVICE IS ACCEPTED AS A COMPONENT OF A LANDSCAPE LIGHTING SYSTEM WHERE THE SUITABILITY OF THE COMBINATION SHALL BE DETERMINED BY THE LOCAL INSPECTION AUTHORITIES HAVING JURISDICTION
- DO NOT CONNECT TWO OR MORE POWER SUPPLIES IN PARALLEL
- LANDSCAPE LIGHTING SYSTEMS ARE FOR OUTDOOR USE ONLY
- NOT FOR USE IN DWELLING UNITS
- A luminaire shall not use tungsten halogen lamps unless the luminaire is marked for such lamps

INSTALLATION — WOOD SURFACE

1. Place Mounting Collar in desired position and mark the mounting and conduit holes. Drill pilot holes for mounting screws and for conduit or wireway as applicable.
2. Run conduit/wires to fixture location, making sure the wires extend at least 6 inches past the top of the Collar.
3. Fasten Collar into position with the three supplied lag screws.
4. Join fixture leads to the supply wires with silicone-filled wire nuts (supplied). Use silicone or electrical tape around wire nuts to ensure proper connection.
5. Slide the fixture Base over the Collar. Rotate to desired position and use a 5/32" hex wrench to tighten the three set screws to fasten the Base to the Collar.

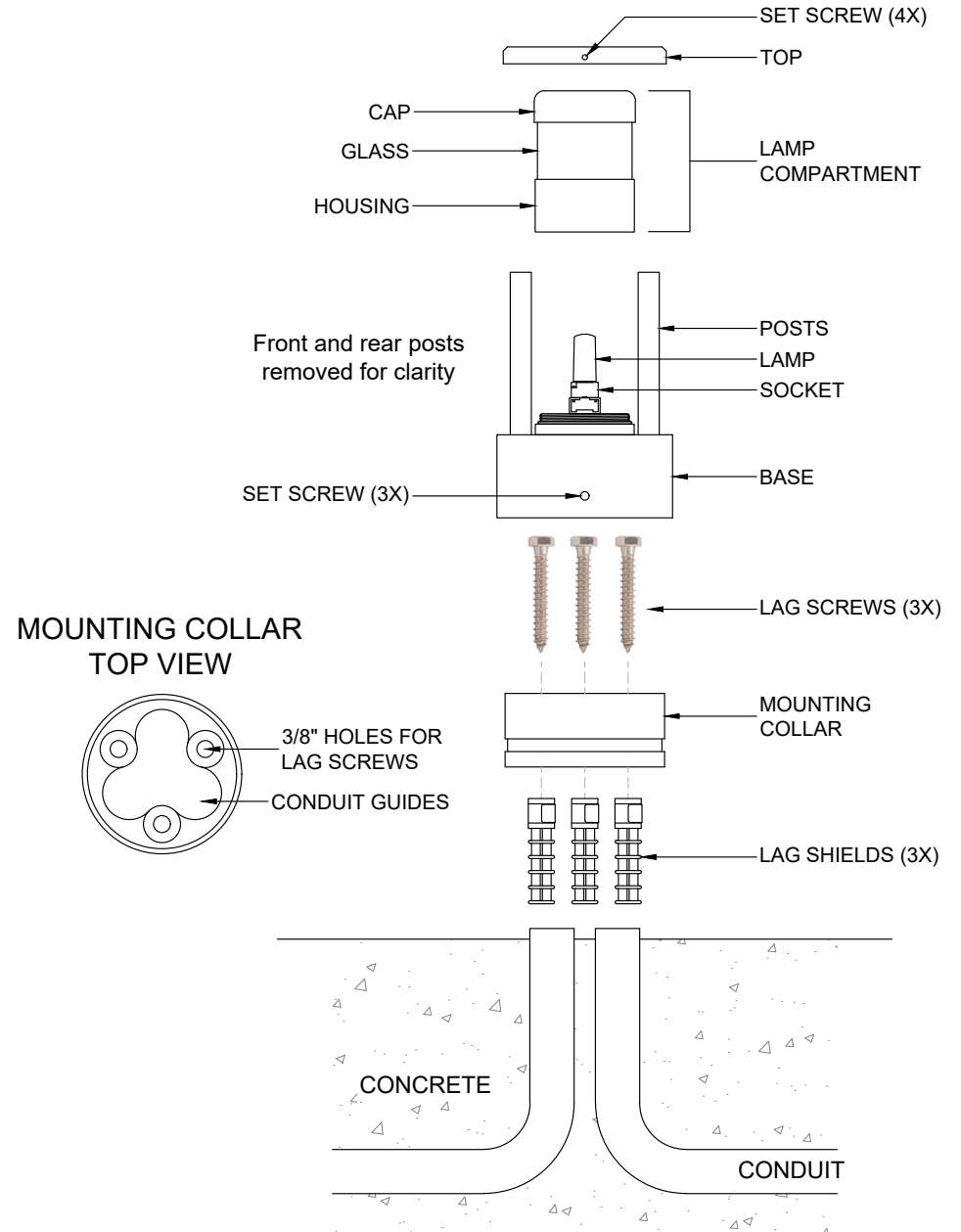
INSTALLATION — MASONRY

1. Dig a minimum 8" diameter x 8" deep hole at desired fixture location. Alternately, an 8"x8"x8" concrete block can be used as a form for the poured concrete.
2. Use the Mounting Collar as a template to position the conduit so it fits inside the footprint of the Base and extend approximately 1/4" above grade.
3. With conduit in place, fill the hole (or concrete block) with concrete.
4. After the concrete has cured, drill three holes for the masonry anchors using the Internal Collar as a template. Install anchors.
5. Proceed to Step 2 of Installation — Wood Surface above to complete installation.

LAMPING

1. Use a 5/64" hex wrench to loosen—but not remove—the set screws in the Top that engage the four Posts. Lift the Top off the Posts.
2. Turn the Lamp Compartment counterclockwise. It will unscrew at its base. The Glass and Cap are permanently attached to the Housing; do not attempt to separate these pieces.
3. Grasp the lamp with a soft cloth and pull straight up to remove from socket.
4. Align the pins of the new lamp with the holes in the socket and push the lamp straight down into the socket.
5. Replace the Lamp Compartment, threading it completely down onto the gasket.

6. Reposition the Top over the four Posts, making sure each one is fully inserted into its recess in the underside of the Top, and tighten the set screws in the side of the Top to secure.



CSA Listed, file # 190030
808-405-6732
www.BeachsideLighting.com



