

E10

The E10 is a solid brass well light with adjustable lamp angle and a footprint less than four inches in diameter.



Construction Solid brass gate. Brass outer housing. All brass fixture components.

Lens Fixture cover: Oval, tempered, soda lime glass, 3/16" [5mm] thick.
Lamp housing: Round, tempered, soda lime glass. Stepped to prevent water pooling on lens.

Voltage 12 Volts AC. Remote transformer required.

Mounting In-ground well light for placement directly into landscape/soil. Fixture design allows for hardscape installation (provided adequate drainage is maintained) without the need for a pour collar.

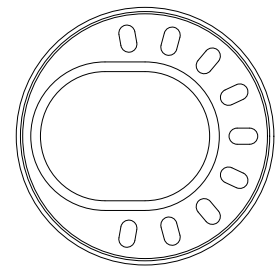
Adjustment Fixture grate rotates 360°. Oblong lens allows for angles up to 15° from vertical without cutoff and up to a maximum of 30° with only partial cutoff.

Lamps

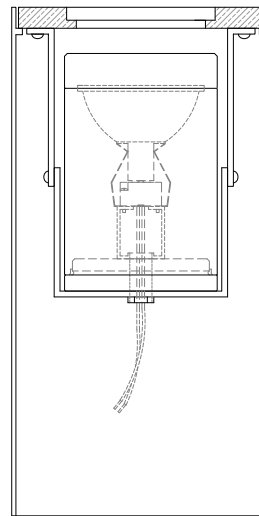
GU5.3, MR16 Halogen	— ESX	20 Watt	12° spot	
35 Watt max.	— FMV	35 Watt	24° narrow flood	
	— 5W-SP	5 Watt	15° spot	320 lm
GU5.3, MR16 LED	— 5W-NFL	5 Watt	25° narrow flood	320 lm
Cree chipset	— 5W-FL	5 Watt	40° flood	320 lm
Warm White (3000K)	— 5W-FL/60	5 Watt	60° flood	320 lm
	— 5W-WFL	5 Watt	100° wide flood	320 lm

Optical	— FR	Frosted lens
Accessories	— HL1	Honeycomb louver, 1/8" [3mm] thick
	— HL2	Honeycomb louver, 1/4" [6mm] thick
	— PR	Prismatic spread lens
	— RT	Rectilinear spread lens

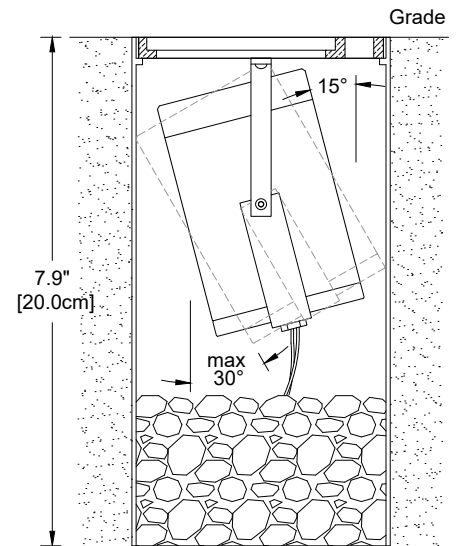
Finish: Unfinished is standard; no specification required. The fixture will weather to a natural patina. The patina process is natural with brass and copper. Rate of patina and eventual color is dependent upon climate and proximity to the ocean. Thus, Beachside does not guarantee any specific appearance.



SOLID BRASS GRATE



Ø4.0" [10.2cm]



BRASS HOUSING AND COMPONENTS

(Pea gravel by others)

Weight: 5.0 lbs. [2.3 kg]

IP 66
CSA Listed, file #190030
10 year fixture warranty
5 year warranty on MR16 LED lamps

MADE IN USA

Project	By	Date
For ordering purposes, please specify (example: E10—5W-SP—FR)		
E10		
Fixture	Lamp	Accessory(ies)