

E2

The E2 is an unobtrusive, low-voltage, downlight. Its minimalist design brings attention to the lamp's effect, not to the fixture itself. The E2 takes advantage of LED modules that can produce 10°-120° beam spreads with just a simple change of our line of field-serviceable optics.

- Construction** All brass components. 1/8" [3mm] thick brass housing.
- Lens** Tempered soda lime glass.
- Voltage** 12 Volts AC with integral driver (9-15V input, dimmable below 9V). Remote transformer required.
- Mounting** Fixture housing is secured by two (2) #8 x 2" brass wood screws.
- Lamps** Triac dimmable: MLV >6% typ., ELV >16% typ.

		Beam/Field	Candela	Lumens	Efficacy	
Cree XPE2 LED	___ 2W-A-SP	11° / 20°	1182	56	41	
2 Watt	___ 2W-A-NFL	14° / 31°	587	64	29	
AMBER (1539K)	___ 2W-A-FL	28° / 60°	108	40	16	
TURTLE FRIENDLY	___ 2W-A-NO	46° / 114°	15	14	6	
Cree XPE2 LED	___ 2W-RO-SP	10° / 18°	2841	123	54	
2 Watt	___ 2W-RO-NFL	13° / 28°	1483	119	52	
RED-ORANGE (1000K)	___ 2W-RO-FL	32° / 56°	229	81	35	
TURTLE FRIENDLY	___ 2W-RO-NO	49° / 114°	32	32	14	
Cree XPG2 LED	___ 3W-SP	13° / 24°	2689	202	69	
3 Watt	___ 3W-NFL	17° / 37°	1214	177	61	
Warm White (3020K)*	___ 3W-FL	30° / 62°	391	143	49	CRI 81
	___ 3W-NO	47° / 86°	42	37	13	
Cree XPG2 LED	___ 4W-SP	13° / 24°	3399	249	64	
4 Watt	___ 4W-NFL	17° / 38°	1514	230	59	CRI 81
Warm White (3072K)*	___ 4W-FL	30° / 62°	492	194	50	
	___ 4W-NO**	71° / 121°	55	81	21	

* Also available in 2700K. Add color suffix to lamp specification, e.g. "3W-NFL-2700K"

Optical Accessories Fixture can accommodate up to two 1/8" thick optical accessories or one accessory when used in conjunction with the 'NO' lamp optic option.

- ___ **CTO-1/4-1.36** Color Temperature Orange filter 1/4
- ___ **CTO-1/2-1.36** Color Temperature Orange filter 1/2
- ___ **CTO-3/4-1.36** Color Temperature Orange filter 3/4
- ___ **FR8** Frosted lens
- ___ **HL8** Honeycomb louver, 1/8" [3mm] thick
- ___ **KP** Extended snoot
- ___ **PR8** Prismatic spread lens
- ___ **RT8** Rectilinear spread lens

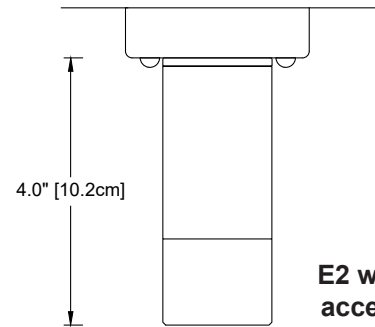
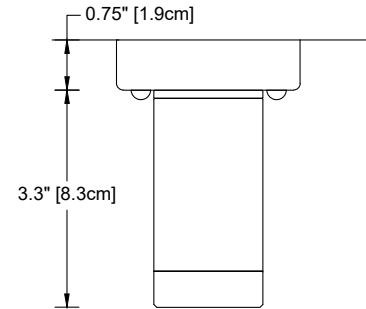
Finish: Unfinished is standard; no specification required. The fixture will weather to a natural patina. The patina process is natural with brass and copper. Rate of patina and eventual color is dependent upon climate and proximity to the ocean. Thus, Beachside does not guarantee any specific appearance.

Weight: 1.3 lbs [0.6 kg]

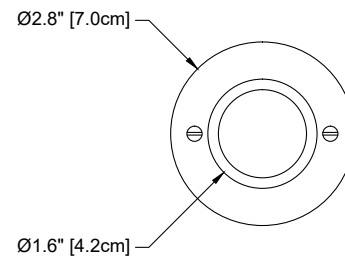
IP 66
CSA Listed, file #190030
10 year fixture warranty
5 year Cree LED module warranty



SUITABLE FOR
INDOOR AND
OUTDOOR USE



E2 with KP accessory



Project	By	Date
For ordering purposes, please specify (example: E2—2W-A-FL—HL8)		
E2	—	—
Fixture	Lamp	Accessory(ies)