

E3-M

The E3-M is a small marker fixture with a minimal 2.19" (56mm) footprint. Fixture can be used in masonry or wood applications.

Construction Solid brass trim with brass cylindrical lamp compartment. PVC outer housing with brass splice box.

Lens Frosted, cylindrical, borosilicate glass helps to diffuse light evenly. Tempered soda lime glass seals lamp compartment below.

Voltage 12 Volts AC. Remote transformer required.

Mounting Ground or wall-mount installation, in wood or masonry, for indoor or outdoor applications. No mounting accessory is needed for core drill applications. Optional Deck Mount accessory allows for adaptation to wood deck of varying thicknesses. Optional brass Conduit Fitting features two side and one bottom 1/2" NPT threaded holes for remote splicing and/or applications with limited depth. Concrete Form Kit secures the fixture Housing vertically or horizontally in a form for installation in new concrete. Trim and lamp compartment are friction-fit into sleeve using o-rings, eliminating the need for visible fasteners.

Lamps Triac dimmable: MLV >6% typ., ELV >16% typ.

Cree XPE2 LED module
TURTLE FRIENDLY — **2W-A-SP** 2 Watt AMBER spot (1500K)

Cree XPG2 LED module
Warm White (3000K)* — **3W-SP** 3 Watt spot

* Also available in 2700K. Add color suffix to lamp specification, e.g. "3W-NFL-2700K"

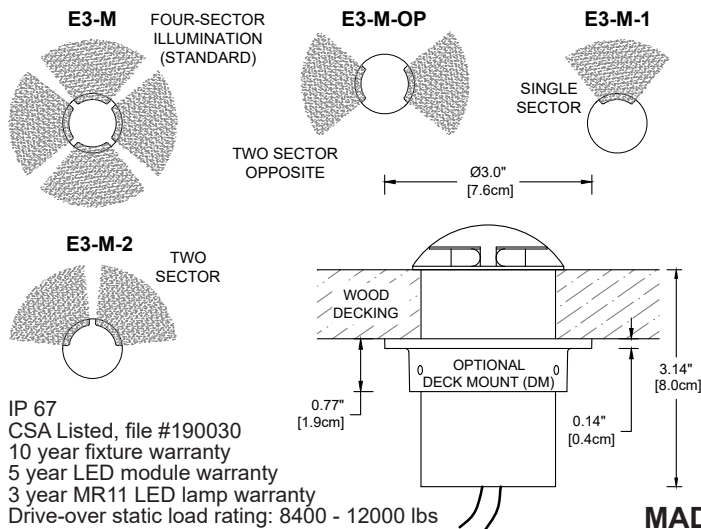
Triac dimmable >25%
MR11 LED Cree chipset
TURTLE FRIENDLY — **2W-A-MR11-SP** 2 Watt AMBER spot (1500K)

MR11 LED Cree chipset
Warm White (3000K) — **2W-MR11-SP** 2 Watt spot

Mounting (None needed for Core Drill Applications)

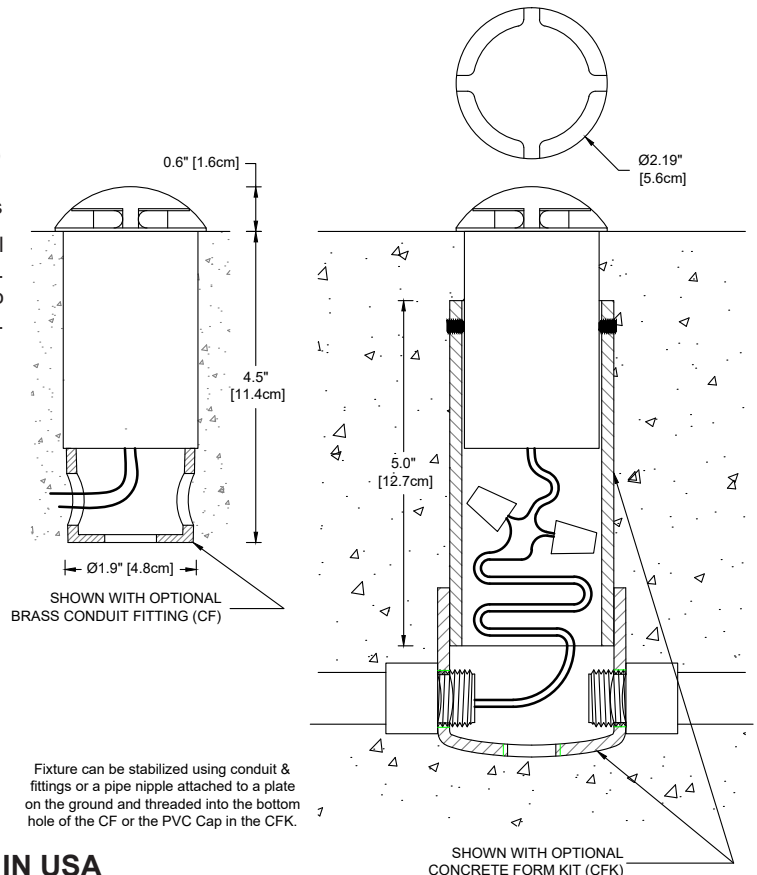
Accessories
— **CF** Conduit Fitting (Limited Depth/Remote Splice)
— **CFK** Concrete Form Kit
— **DM** Deck Mount adapter ring for wooden decks

Finish: Unfinished is standard; no specification required. The fixture will weather to a natural patina. The patina process is natural with brass and copper. Rate of patina and eventual color is dependent upon climate and proximity to the ocean. Thus, Beachside does not guarantee any specific appearance.



IP 67
CSA Listed, file #190030
10 year fixture warranty
5 year LED module warranty
3 year MR11 LED lamp warranty
Drive-over static load rating: 8400 - 12000 lbs

MADE IN USA



Project	By	Date
For ordering purposes, please specify (example: E3-M-2-2W-MR11-SP-DM)		
E3-M-		
Fixture	Lamp / Beam	Accessory