

E3-RL

The E3-RL is a round, recessed, louvered steplight with a minimal 2.17" (55mm) footprint. Positioning of louvers milled at 30° angle throw light out and down without glare at fixture level.

Construction Solid brass trim with brass cylindrical lamp compartment. PVC outer housing with brass splice box.

Lens Frosted, tempered soda lime glass.

Voltage 12 Volts AC. Remote transformer required.

Mounting Ground or wall-mount installation, in wood or masonry, for indoor or outdoor applications. No mounting accessory is needed for core drill applications. Optional Deck Mount accessory allows for adaptation to wood deck of varying thicknesses. Optional brass Conduit Fitting features two side and one bottom 1/2" NPT threaded holes for remote splicing and/or applications with limited depth. Concrete Form Kit secures the fixture Housing vertically or horizontally in a form for installation in new concrete. Trim and lamp compartment are friction-fit into sleeve using o-rings, eliminating the need for visible fasteners.

Lamps Triac dimmable: MLV >6% typ., ELV >16% typ.

Cree XPE2 LED module	2W-A-SP	2 Watt AMBER	10° spot
AMBER (1500K)	2W-A-NFL	2 Watt AMBER	30° narrow flood
TURTLE FRIENDLY	2W-A-FL	2 Watt AMBER	50° flood
Cree XPG2 LED module	3W-SP	3 Watt	10° spot
Warm White (3000K)*	3W-NFL	3 Watt	30° narrow flood
	3W-FL	3 Watt	50° flood

* Also available in 2700K. Add color suffix to lamp specification, e.g. "3W-NFL-2700K"

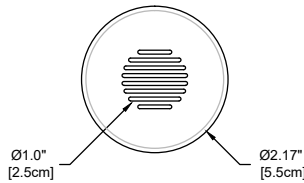
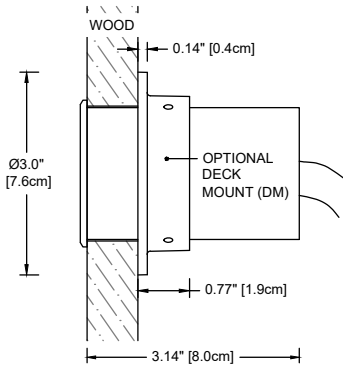
MR11 LED Cree chipset	2W-A-MR11-SP	2 Watt AMBER	15° spot
AMBER (1500K)	2W-A-MR11-NFL	2 Watt AMBER	30° narrow flood
Triac dimmable >25%	2W-A-MR11-FL	2 Watt AMBER	60° flood
TURTLE FRIENDLY			
MR11 LED Cree chipset	2W-MR11-SP	2 Watt	15° spot
Warm White (3000K)	2W-MR11-NFL	2 Watt	30° narrow flood
Triac dimmable >25%	2W-MR11-FL	2 Watt	60° flood

Mounting (None needed for Core Drill Applications)

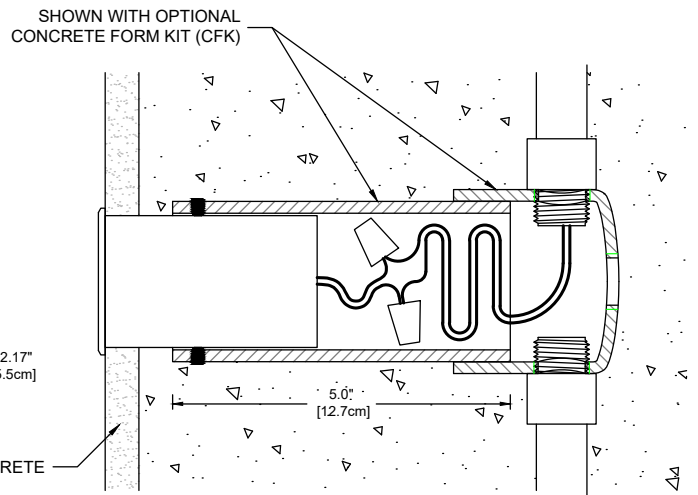
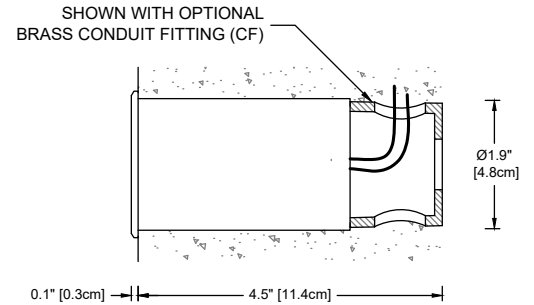
Accessories

- CF** Conduit Fitting (Limited Depth/Remote Splice)
- CFK** Concrete Form Kit
- DM** Deck Mount adapter ring for wooden decks

Finish: Unfinished is standard, no specification required. The fixture will weather to a natural patina. The patina process is natural with brass and copper. Rate of patina and eventual color is dependent upon climate and proximity to the ocean. Thus, Beachside does not guarantee any specific appearance.



SHOWN INSTALLED IN STUCCO OVER CONCRETE



IP 67
 CSA Listed, file #190030
 Warranty: 10 year fixture, 5 year LED module, 3 year MR11 LED lamp

MADE IN USA

Project	By	Date
For ordering purposes, please specify (example: E3-RL—2W-MR11-NFL—DM)		
E3-RL		
Fixture	Lamp / Beam	Accessory