

# E3-SQ

The E3-SQ is a square, recessed fixture with a minimal 2.17" (55mm) footprint. Fixture can be used as a steplight or an uplight in masonry or wood applications.

**Construction** Solid brass trim with brass cylindrical lamp compartment. PVC outer housing with brass splice box.

**Lens** Tempered soda lime glass. Stepped to prevent pooling of water on lens for uplight applications.

**Voltage** 12 Volts AC. Remote transformer required.

**Mounting** Ground or wall-mount installation, in wood or masonry, for indoor or outdoor applications. No mounting accessory is needed for core drill applications. Optional Deck Mount accessory allows for adaptation to wood deck of varying thicknesses. Optional brass Conduit Fitting features two side and one bottom 1/2" NPT threaded holes for remote splicing and/or applications with limited depth. Concrete Form Kit secures the fixture Housing vertically or horizontally in a form for installation in new concrete. Trim and lamp compartment are friction-fit into sleeve using o-rings, eliminating the need for visible fasteners.

**Lamps** Triac dimmable: MLV >6% typ., ELV >16% typ.

Cree XPE2 LED module	<b>2W-A-SP</b>	Spot	8° Beam, 16° Field
2 Watt AMBER (1500K)	<b>2W-A-NFL</b>	Narrow Flood	13° Beam, 28° Field
	<b>2W-A-FL</b>	Flood	27° Beam, 57° Field
Cree XPG2 LED module	<b>3W-SP</b>	Spot	11° Beam, 20° Field
3 Watt	<b>3W-NFL</b>	Narrow Flood	15° Beam, 33° Field
Warm White (3000K)*	<b>3W-FL</b>	Flood	28° Beam, 58° Field

\* Also available in 2700K. Add color suffix to lamp specification, e.g. "3W-NFL-2700K"

MR11 LED Cree chipset	<b>2W-A-MR11-SP</b>	2 Watt AMBER	15° spot
AMBER (1500K)	<b>2W-A-MR11-NFL</b>	2 Watt AMBER	30° narrow flood
Triac dimmable >25%	<b>2W-A-MR11-FL</b>	2 Watt AMBER	60° flood
MR11 LED Cree chipset	<b>2W-MR11-SP</b>	2 Watt	15° spot
Warm White (3000K)	<b>2W-MR11-NFL</b>	2 Watt	30° narrow flood
Triac dimmable >25%	<b>2W-MR11-FL</b>	2 Watt	60° flood

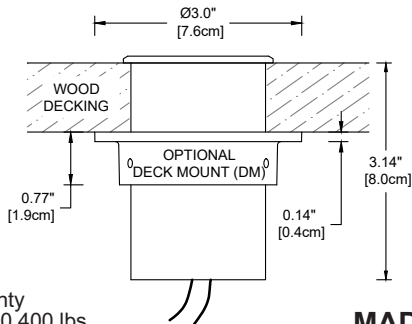
**Optical Accessories**

- DTF-E3** Direction Turning Film bends light 20°
- FR8** Frosted glass lens
- HL8** Honeycomb louver, 1/8" [3mm] thick

**Mounting Accessories** (None needed for Core Drill Applications)

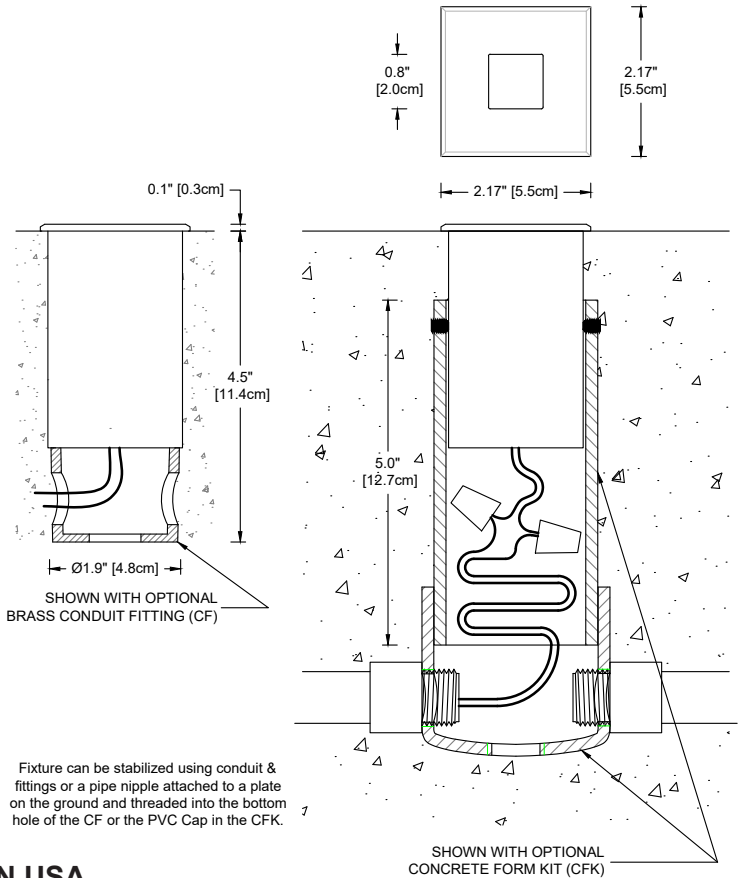
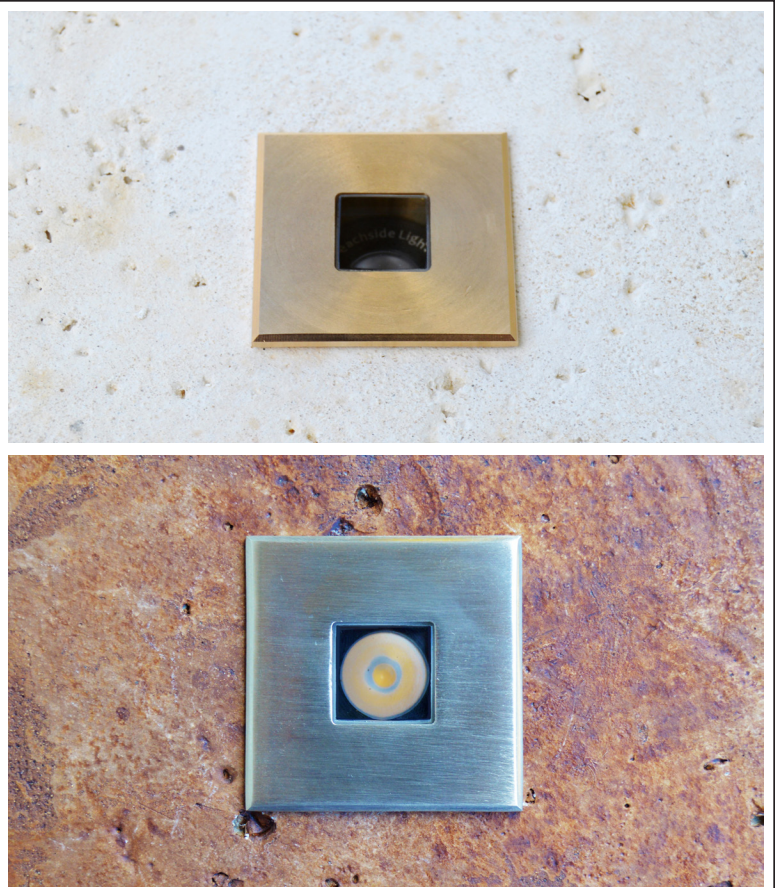
- CF** Conduit Fitting (Limited Depth/Remote Splice)
- CFK** Concrete Form Kit
- DM** Deck Mount adapter ring for wooden decks

**Finish:** Unfinished is standard, no specification required. The fixture will weather to a natural patina. The patina process is natural with brass and copper. Rate of patina and eventual color is dependent upon climate and proximity to the ocean. Thus, Beachside does not guarantee any specific appearance.



IP 67  
 CSA Listed, file # 190030  
 10 year fixture warranty  
 5 year LED module warranty  
 3 year MR11 LED lamp warranty  
 Drive-over static load rating: 10,400 lbs

**MADE IN USA**



Project	By	Date
For ordering purposes, please specify (example: <b>E3-SQ—2W-MR11-NFL—HL8—DM</b> )		
<b>E3-SQ</b>		
Fixture	Lamp / Beam	Accessory(ies)