

E8-S

The E8-S is an unobtrusive, low-voltage, directional fixture on a brass riser. It can be aimed up or down and is ideal for tall ground cover. Its minimalist design brings attention to the lamp's effect, not to the fixture itself. The E8-S takes advantage of LED modules that can produce 10°-120° beam spreads with just a simple change of our line of field-serviceable optics.



Construction All brass components. 1/8" [3mm] thick brass housing. 1/2" schedule 40 brass stem.

Lens Tempered soda lime glass. Stepped to prevent pooling of water on lens.

Voltage 12 Volts AC with integral driver (9 - 15V input, dimmable below 9V). Remote transformer required.

Stem Height Custom stem heights are available upon request. Standard stem heights are:

- 8 8" [20 cm]
- 12 12" [30 cm]
- 16 16" [40 cm]
- 20 20" [51 cm]

Lamps Triac dimmable: MLV >6% typ., ELV >16% typ.

—	2W-A-SP	Spot	10° Beam, 20° Field
Cree XPE2 LED	—	2W-A-NFL	Narrow Flood 15° Beam, 32° Field
2 Watt Amber (1500K)	—	2W-A-FL	Flood 29° Beam, 61° Field
—	—	2W-A-NO	No Optic 46° Beam, 114° Field
—	3W-SP	Spot	13° Beam, 24° Field
—	3W-NFL	Narrow Flood	17° Beam, 37° Field
Cree XPG2 LED	—	3W-FL	Flood 30° Beam, 62° Field
3 and 4 Watt	—	3W-NO	No Optic 47° Beam, 86° Field
Warm White (3000K)**	—	4W-SP	Spot 13° Beam, 24° Field
—	—	4W-NFL	Narrow Flood 17° Beam, 38° Field
—	—	4W-FL	Flood 30° Beam, 62° Field
—	—	4W-NO*	No Optic 71° Beam, 121° Field

* When the 4W lamp is specified with No Optic, only one optical accessory may be used.

** Also available in 2700K. Add color suffix to lamp specification, e.g. "3W-NFL-2700K"

Optical Accessories

—	BGS8	Brass glare shield, 45° cutoff
—	BGS8F	Brass glare shield, full cutoff
—	FR8	Frosted lens
—	HL8	Honeycomb louver, 1/8" [3mm] thick
—	PR8	Prismatic spread lens
—	RT8	Rectilinear spread lens

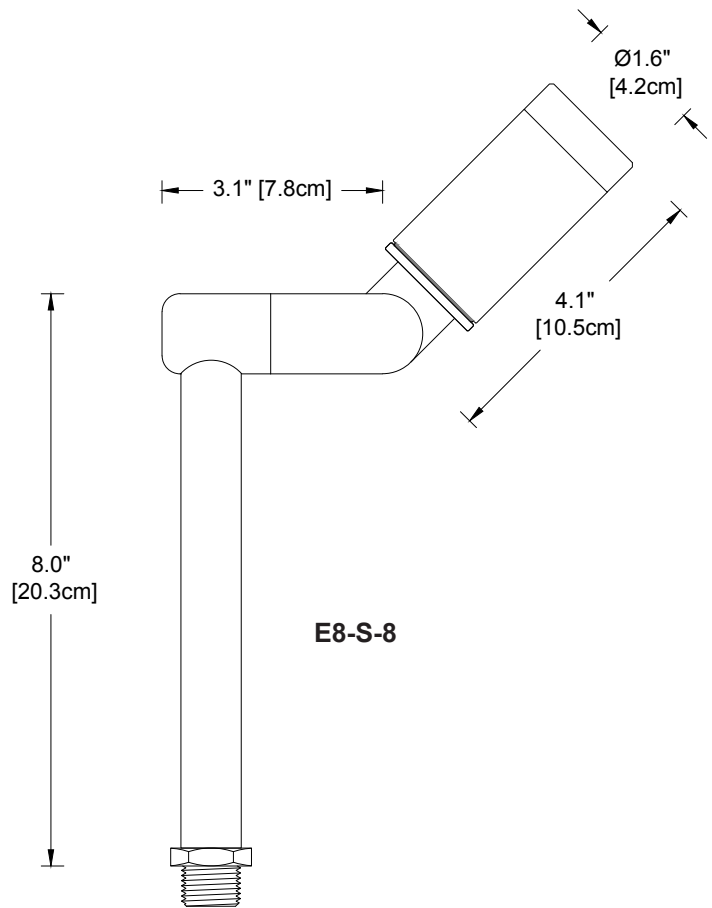
Mounting Accessories

1/2" male threads. Mounts into any standard j-box or:

—	GS2	Heavy-duty ground spike
—	GS2BC	Heavy-duty ground spike with cast brass cap
—	GS3R	Heavy-duty ground spike with brass cap for telescoping fixture riser
—	GS4	Standard ground spike with cast brass cap
—	JB	Cast brass junction box

Finish: Unfinished is standard; no specification required. The fixture will weather to a natural patina. The patina process is natural with brass and copper. Rate of patina and eventual color is dependent upon climate and proximity to the ocean. Thus, Beachside does not guarantee any specific appearance.

Weight: 2.8 lbs [1.3 kg] with 16" stem



IP 66
 CSA Listed, file #190030
 10 year fixture warranty
 5 year Cree LED module warranty

MADE IN USA

Project	By	Date
For ordering purposes, please specify (example: E8-S-8-2W-A-SP-GS4-BGS8F)		
E8-S	—	—
Fixture	Stem Height	Lamp
		Accessory(ies)