

# E8

The E8 is an unobtrusive, low-voltage, directional fixture. Its minimalist design brings attention to the lamp's effect, not to the fixture itself. The E8 takes advantage of LED modules that can produce a range of beam spreads with just a simple change of our line of field-serviceable optics.

**Construction** All brass components. 1/8" [3mm] thick brass housing.

**Lens** Tempered glass, stepped to prevent pooling of water on lens

**Voltage** 12 Volts AC / DC with integral driver (9-15V input, dimmable below 9V). Remote transformer required.

**Lamps** Triac dimmable: MLV >6% typ., ELV >16% typ.

Cree XPE2 LED 2 Watt AMBER (1503K)	___ <b>2W-A-SP</b>	10° Beam, 20° Field	1366 cd	65 lm	29 lm/W	
	___ <b>2W-A-NFL</b>	14° Beam, 31° Field	587 cd	64 lm	29 lm/W	
	___ <b>2W-A-FL</b>	29° Beam, 61° Field	140 cd	53 lm	24 lm/W	
	___ <b>2W-A-NO</b>	46° Beam, 114° Field	15 cd	14 lm	6 lm/W	
Cree XPE2 LED 2 Watt RED-ORANGE (1000K)	___ <b>2W-RO-SP</b>	10° Beam, 18° Field	2841 cd	123 lm	54 lm/W	
	___ <b>2W-RO-NFL</b>	13° Beam, 28° Field	1483 cd	119 lm	52 lm/W	
	___ <b>2W-RO-FL</b>	32° Beam, 56° Field	229 cd	81 lm	35 lm/W	
	___ <b>2W-RO-NO</b>	49° Beam, 114° Field	32 cd	32 lm	14 lm/W	
Cree XPG2 LED 3 Watt Warm White (3049K)*	___ <b>3W-SP</b>	13° Beam, 24° Field	2689 cd	202 lm	69 lm/W	CRI 83
	___ <b>3W-NFL</b>	17° Beam, 37° Field	1214 cd	177 lm	61 lm/W	
	___ <b>3W-FL</b>	30° Beam, 62° Field	395 cd	156 lm	54 lm/W	
	___ <b>3W-NO</b>	47° Beam, 86° Field	42 cd	37 lm	13 lm/W	
Cree XPG2 LED 4 Watt Warm White (3072K)*	___ <b>4W-SP</b>	13° Beam, 24° Field	3399 cd	249 lm	64 lm/W	CRI 81
	___ <b>4W-NFL</b>	17° Beam, 38° Field	1514 cd	230 lm	59 lm/W	
	___ <b>4W-FL</b>	30° Beam, 62° Field	492 cd	194 lm	50 lm/W	
	___ <b>4W-NO**</b>	71° Beam, 121° Field	55 cd	81 lm	21 lm/W	

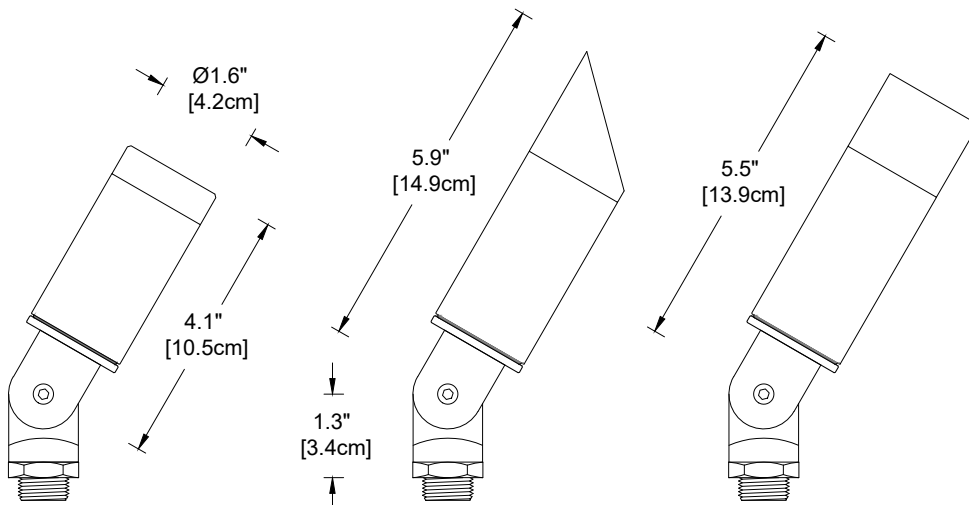
\* Also available in 2700K. Add color suffix to lamp specification, e.g. "3W-NFL-2700K"

\*\* When the 4W lamp is specified with No Optic, only one optical accessory may be used.

## Optical Accessories

___ <b>BGS8</b>	Brass glare shield, 45° cutoff
___ <b>BGS8F</b>	Brass glare shield, full cutoff with weep hole
___ <b>CTO-1/4-1.36</b>	Color Temperature Orange filter 1/4
___ <b>CTO-1/2-1.36</b>	Color Temperature Orange filter 1/2
___ <b>CTO-3/4-1.36</b>	Color Temperature Orange filter 3/4
___ <b>FR8</b>	Frosted lens, 1/8" [3mm] thick
___ <b>HL8</b>	Honeycomb louver, 1/8" [3mm] thick
___ <b>KP</b>	Extended snoot (no weep hole) for DOWNLIGHTING only
___ <b>PR8</b>	Prismatic spread lens, 1/8" [3mm] thick
___ <b>RT8</b>	Rectilinear spread lens, 1/8" [3mm] thick
___ <b>SL8</b>	Solite (Soft Focus) lens, 1/8" [3mm] thick

Maximum (2) 1/8" thick optical accessories, or (1) 1/8" thick optical accessory w/ 4W-NO



**E8**



**E8 with BGS8 Accessory**



**E8 with BGS8F Accessory**



SUITABLE FOR INDOOR  
AND OUTDOOR USE

# E8

## Mounting Accessories

1/2" male threads mount into any standard j-box or:

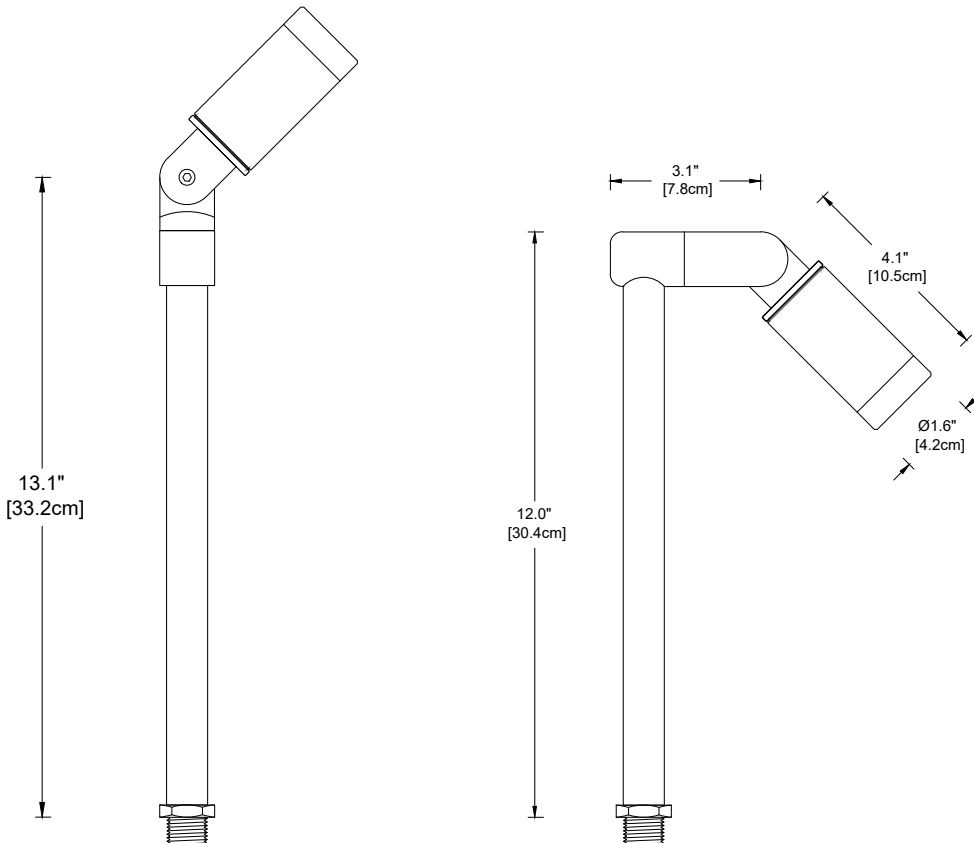
- \_\_\_ **GS2** Heavy-duty ground spike
- \_\_\_ **GS2BC** Heavy-duty ground spike with cast brass cap
- \_\_\_ **GS3R** Heavy-duty ground spike with brass cap for telescoping fixture riser
- \_\_\_ **GS4** Standard ground spike with cast brass cap
- \_\_\_ **JB** Cast brass junction box
- \_\_\_ **SA** Sure Aim locking rotation accessory (not available with **STEM-S**)
- \_\_\_ **STEM-C-\_\_** Brass riser for applications where fixture is directed UPWARD (4"/10cm, 8"/20cm, 12"/30cm, 16"/40cm, 20"/51cm, or custom height—specify in inches)
- \_\_\_ **STEM-S-\_\_** Brass riser for applications where fixture is directed DOWNWARD, such as lighting for steps (8"/20cm, 12"/30cm, 16"/40cm, 20"/51cm, or custom height—specify in inches)
- \_\_\_ **TDM1** Brass tree/deck mount with stainless steel screws
- \_\_\_ **TDM2-\_\_** Brass tree mount with nylon strap (48, 72, or 96")
- \_\_\_ **TDM2SS-\_\_** Brass tree mount with stainless steel strap (48, 72, or 96")
- \_\_\_ **TDM3** Brass low-profile deck/wall mount (*SA accessory recommended*)
- \_\_\_ **TDM4** Brass low-profile tree mount with notch for wire (*SA accessory recommended*)
- \_\_\_ **TMJB-\_\_** Brass tree-mounted junction box, single fixture mount, stainless steel strap (48, 72, or 96")
- \_\_\_ **TMJB2-\_\_** Brass tree-mounted junction box, double fixture mount, stainless steel strap (48, 72, or 96")
- \_\_\_ **TMJBX** Brass tree-mounted junction box, single fixture mount, stainless steel screws
- \_\_\_ **TMJB2X** Brass tree-mounted junction box, double fixture mount, stainless steel screws



**E8-STEM-C-12**



**E8-STEM-S-12**



**Fixtures shown on 12-inch stems**

**Finish:** Unfinished is standard; no specification required. The fixture will weather to a natural patina. The patina process is natural with brass and copper. Rate of patina and eventual color is dependent upon climate and proximity to the ocean. Thus, Beachside does not guarantee any specific appearance.

**Weight:** 1.6 lbs. [0.7 kg]  
(excludes Mounting Accessories)

**IP 66**  
CSA Listed, file #190030  
10 year fixture warranty  
5 year Cree LED module warranty

Project	By	Date
For ordering purposes, please specify (example: <b>E8—2W-A-SP—BGS8—CTO-1/2-1.36—HL8—GS2—STEM-C-12</b> )		
<b>E8-</b>	—	—
Fixture	Lamp	Accessory
—	—	—
Accessory	Accessory	Accessory
—	—	—
Accessory	Accessory	Accessory