

# E9-R / E9-R-CR

The E9-R is a round, brass, recessed fixture for mounting in floors, walls, or ceilings. Suitable for indoor or outdoor use.

**E9-R:** Surface-mounted trim

**E9-R-CR:** Adds CONCRETE RING for flush-mounted, recessed trim.



**Construction** Solid brass faceplate. Copper outer housing with wiring compartment, (2) 1/2" NPT taps in rear, and (2) #6-32 black oxide stainless steel screws.

**Lens** Tempered soda lime glass.

**Voltage** 12 Volts AC. Remote transformer required.

**Lamps** MR16 LED • GU5.3

Cree chipset AMBER (1500K)	— <b>5W-A-NFL</b>	5 Watt AMBER	25° narrow flood
	— <b>5W-SP</b>	5 Watt	15° spot
	— <b>5W-NFL</b>	5 Watt	25° narrow flood
	— <b>5W-FL</b>	5 Watt	40° flood
	— <b>5W-FL/60</b>	5 Watt	60° flood
	— <b>5W-WFL</b>	5 Watt	100° wide flood
Cree chipset (5W)	— <b>7W-NFL</b>	7 Watt	25° narrow flood
Lumiled chipset (7W)	— <b>7W-FL</b>	7 Watt	40° flood
Soraa chipset (8W)	— <b>7W-WFL</b>	7 Watt	60° wide flood
Warm White (3000K)*	— <b>8W-SP</b>	8 Watt	10° spot
	— <b>8W-NFL</b>	8 Watt	25° narrow flood
	— <b>8W-FL</b>	8 Watt	36° flood

\* Also available in 2700K. Add color suffix to lamp specification, e.g. "5W-NFL-2700K"

<b>Optical</b>	— <b>FR</b>	Frosted lens
<b>Accessories**</b>	— <b>HL1</b>	Honeycomb louver, 1/8" [3mm] thick
	— <b>HL2</b>	Honeycomb louver, 1/4" [6mm] thick
	— <b>PR</b>	Prismatic spread lens
	— <b>RT</b>	Rectilinear spread lens

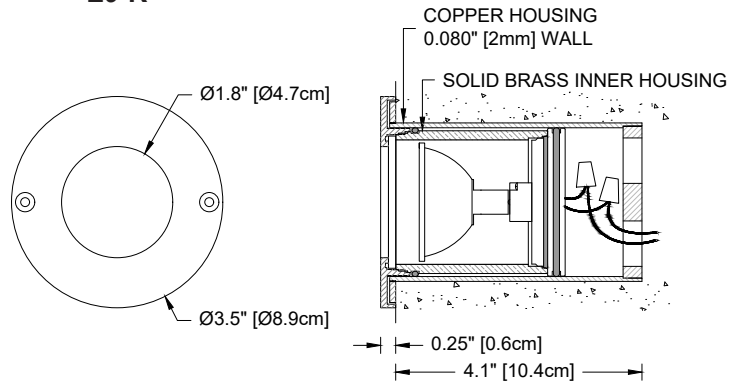
\*\*Maximum (2) accessories. HL2 cannot be used with any other accessory.

**Finish:** Unfinished is standard; no specification required. The fixture will weather to a natural patina. The patina process is natural with brass and copper. Rate of patina and eventual color is dependent upon climate and proximity to the ocean. Thus, Beachside does not guarantee any specific appearance.

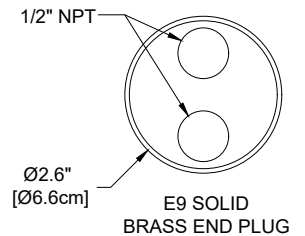
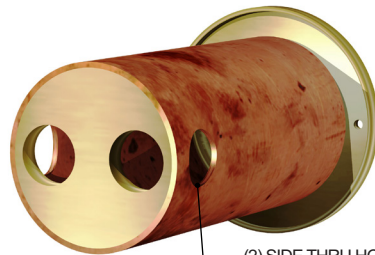
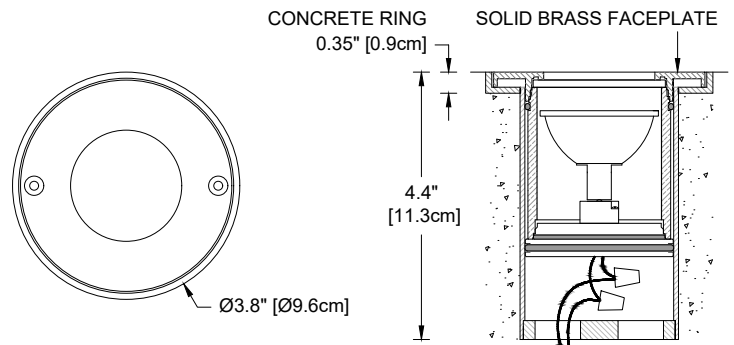
**Weight:** 4.4 lbs. [2.0 kg]

IP 67  
CSA Listed, file #190030  
10 year fixture warranty  
3 year warranty on MR16 LED lamps  
Drive-over static load rating: 10,500 lbs (CR version only)

**E9-R**



**E9-R-CR**



**MADE IN USA**

Project _____	By _____	Date _____
For ordering purposes, please specify (example: <b>E9-R-CR—5W-NFL—FR</b> )		
<b>E9-R-</b> _____	_____	_____
Fixture	Lamp	Accessory(ies)