

E9-RC

The E9-RC is a rectangular, brass, recessed fixture for mounting in floors, walls, or ceilings.

E9-RC: Surface-mounted trim

E9-RC-CR: Adds CONCRETE RING for flush-mounted, recessed trim

Construction Solid brass faceplate. Copper outer housing with wiring compartment, (2) 1/2" NPT taps in rear, and (2) #6-32 black oxide stainless steel screws.

Lens Tempered soda lime glass

Voltage 12 Volts AC / DC. Remote transformer required.

Lamps Integrated LED light engine
 Triac dimmable: MLV >6% typ, ELV >16% typ

Cree XPE2 LED
 2 Watt
 AMBER (1541K)
 TURTLE FRIENDLY

- ___ **2W-A-SP** spot
- ___ **2W-A-NFL** narrow flood
- ___ **2W-A-FL** flood
- ___ **2W-A-NO** no optic (wide flood)

Cree XPE2 LED
 2 Watt
 RED-ORANGE (1000K)
 TURTLE FRIENDLY

- ___ **2W-RO-SP** spot
- ___ **2W-RO-NFL** narrow flood
- ___ **2W-RO-FL** flood
- ___ **2W-RO-NO** no optic (wide flood)

Cree XPG2 LED
 3 Watt
 Warm White (3020K)*

- ___ **3W-SP** spot
- ___ **3W-NFL** narrow flood
- ___ **3W-FL** flood
- ___ **3W-NO** no optic (wide flood)

MR16 LED • GU5.3

Cree chipset
 5W AMBER (1500K)
 TURTLE FRIENDLY

- ___ **5W-A-NFL** 25° narrow flood
- ___ **5W-SP** 15° spot

Cree chipset
 5 Watts
 Warm White (3000K)*

- ___ **5W-NFL** 25° narrow flood
- ___ **5W-FL/60** 60° flood
- ___ **5W-WFL** 100° wide flood

Lumiled chipset
 7 Watts
 Warm White (3000K)*

- ___ **7W-NFL** 25° narrow flood
- ___ **7W-FL** 40° flood
- ___ **7W-WFL** 60° wide flood

Soraa chipset
 8 Watts
 Warm White (3000K)*

- ___ **8W-SP** 10° spot
- ___ **8W-NFL** 25° narrow flood
- ___ **8W-FL** 36° flood

* Also available in 2700K. Add color suffix to lamp specification, e.g. "3W-NFL-2700K"

Optical Accessories**

- ___ **FR** Frosted lens
- ___ **HL1** Honeycomb louver, 1/8" [3mm] thick
- ___ **HL2** Honeycomb louver, 1/4" [6mm] thick
- ___ **PR** Prismatic spread lens
- ___ **RT** Rectilinear spread lens

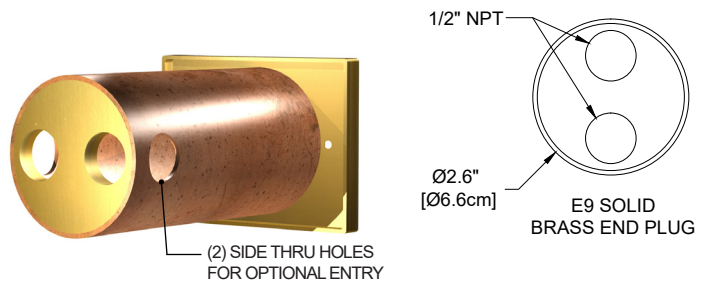
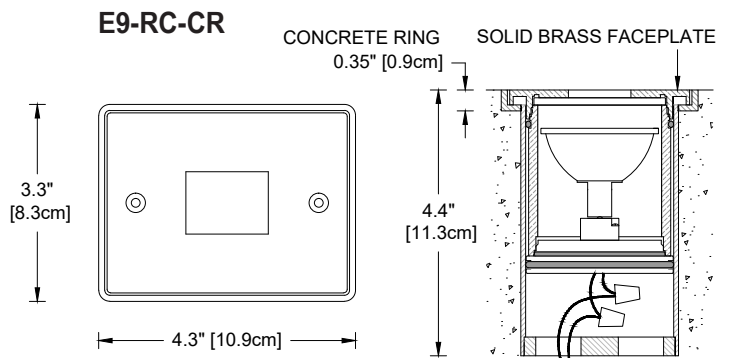
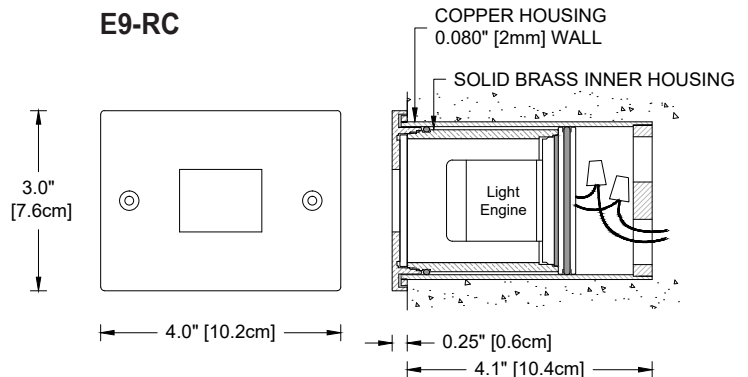
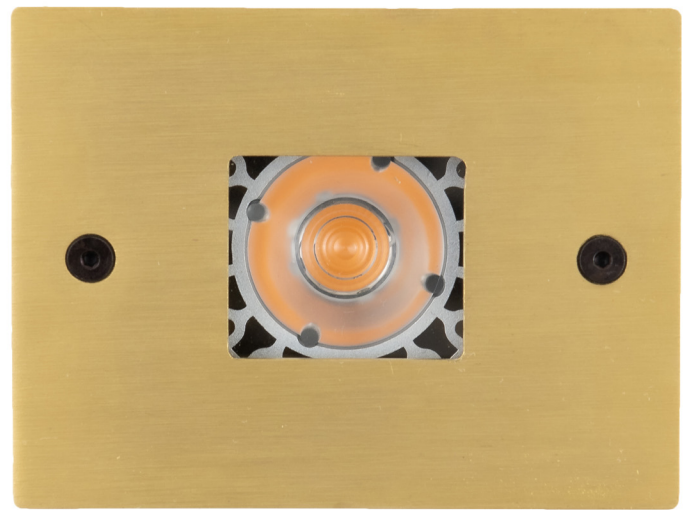
**Maximum (2) accessories. HL2 cannot be used with any other accessory.

Finish: Unfinished is standard; no specification required. The fixture will weather to a natural patina. The patina process is natural with brass and copper. Rate of patina and eventual color is dependent upon climate and proximity to the ocean. Thus, Beachside does not guarantee any specific appearance.

Weight: 4.4 lbs [2.0 kg]

IP 67
 CSA Listed, file #190030
 10 year fixture warranty
 3 year warranty on MR16 LED lamps

CSA SUITABLE FOR WET LOCATIONS AND INDOOR & OUTDOOR USE



Project	By	Date
For ordering purposes, please specify (example: E9-RC-CR-5W-NFL-RT)		
E9-RC-	Lamp	Accessory(ies)
Fixture		