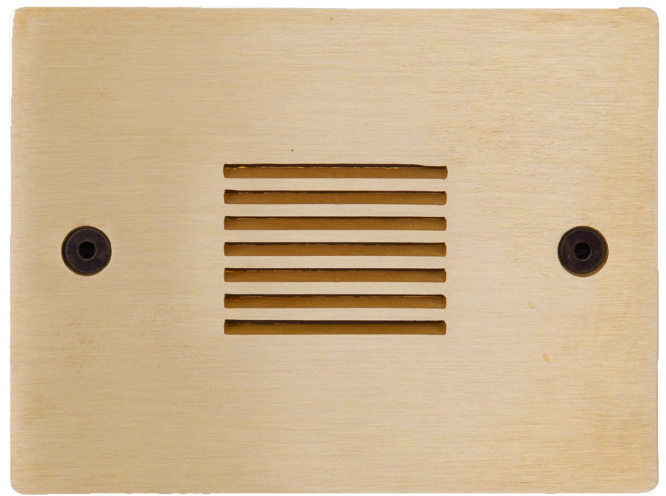


E9-RCL



Wildlife Lighting
Certification Number
2018-029

The E9-RCL is a rectangular, brass, recessed fixture with a louvered faceplate for mounting in floors, walls, or ceilings.



E9-RCL: Surface-mounted trim

E9-RCL-CR: Adds CONCRETE RING for flush-mounted, recessed trim

Construction Solid brass faceplate. Copper outer housing with wiring compartment, (2) 1/2" NPT taps in rear, and (2) #6-32 black oxide stainless steel screws.

Lens Tempered, frosted soda lime glass

Voltage 12 Volts AC / DC. Remote transformer required.

Lamps Integrated LED light engine
Triac dimmable: MLV >6% typ, ELV >16% typ

Cree XPE2 LED
2 Watt
AMBER (1541K)

- **2W-A-SP** spot
- **2W-A-NFL** narrow flood
- **2W-A-FL** flood
- **2W-A-NO** no optic (wide flood)

Cree XPE2 LED
2 Watt
RED-ORANGE (1000K)

- **2W-RO-SP** spot
- **2W-RO-NFL** narrow flood
- **2W-RO-FL** flood
- **2W-RO-NO** no optic (wide flood)

MR16 LED • GU5.3

Cree chipset
5W AMBER (1500K)

- **5W-A-NFL** 25° narrow flood

Wavelength: 597.5 nanometers (dominant)
599.7 nanometers (peak)

Optical Accessories**

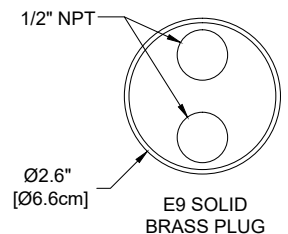
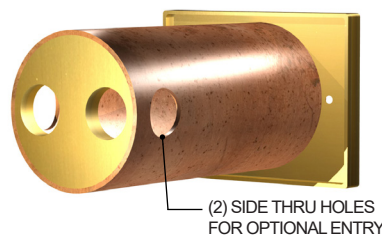
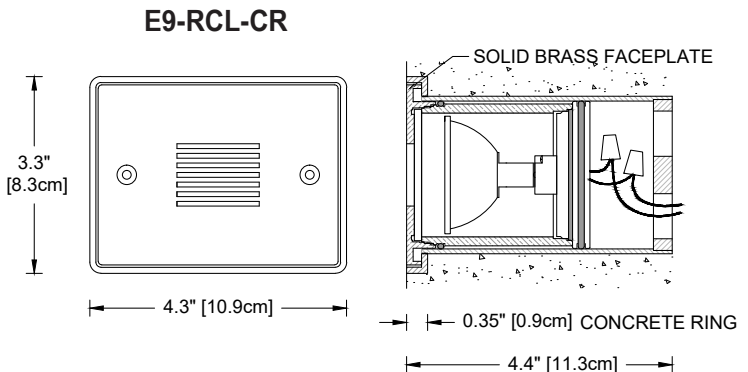
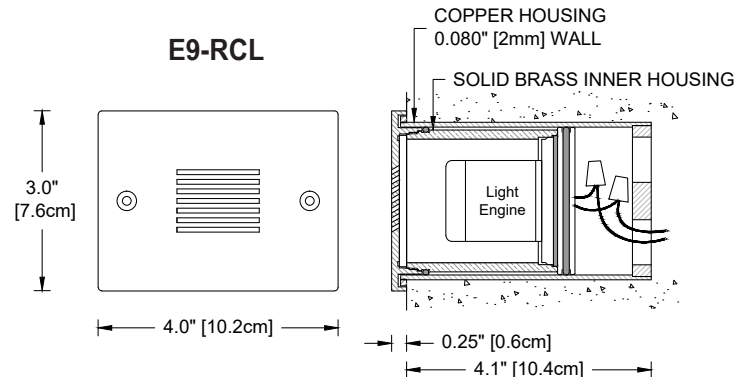
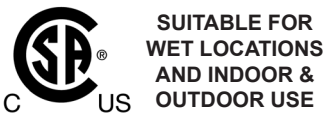
- **HL1** Honeycomb louver, 1/8" [3mm] thick
- **PR** Prismatic spread lens
- **RT** Rectilinear spread lens

**Maximum (2) accessories.

Finish: Unfinished is standard; no specification required. The fixture will weather to a natural patina. The patina process is natural with brass and copper. Rate of patina and eventual color is dependent upon climate and proximity to the ocean. Thus, Beachside does not guarantee any specific appearance.

Weight: 4.4 lbs [2.0 kg]

IP 67
CSA Listed, file #190030
10 year fixture warranty
3 year warranty on MR16 LED lamps



Project	By	Date
For ordering purposes, please specify (example: E9-RCL-CR-5W-A-NFL-RT)		
E9-RCL-	5W-A-NFL	Accessory(ies)
Fixture	Lamp	