

# E9-RL / E9-RL-CR

The E9-RL is a round, brass, recessed fixture with a louvered faceplate for mounting in floors, walls, or ceilings. Suitable for indoor or outdoor use.



**E9-RL:** Surface-mounted trim

**E9-RL-CR:** Adds CONCRETE RING for flush-mounted, recessed trim.

**Construction** Solid brass faceplate. Copper outer housing with wiring compartment, (2) 1/2" NPT taps in rear, and (2) #6-32 black oxide stainless steel screws.

**Lens** Tempered, frosted soda lime glass.

**Voltage** 12 Volts AC. Remote transformer required.

**Lamps** MR16 LED • GU5.3

Cree chipset  
AMBER (1500K)

— **5W-A-NFL** 5 Watt AMBER 25° narrow flood  
**TURTLE-FRIENDLY**

- **5W-SP** 5 Watt 15° spot
- **5W-NFL** 5 Watt 25° narrow flood
- **5W-FL** 5 Watt 40° flood
- **5W-FL/60** 5 Watt 60° flood
- **5W-WFL** 5 Watt 100° wide flood
- **7W-NFL** 7 Watt 25° narrow flood
- **7W-FL** 7 Watt 40° flood
- **7W-WFL** 7 Watt 60° wide flood
- **8W-SP** 8 Watt 10° spot
- **8W-NFL** 8 Watt 25° narrow flood
- **8W-FL** 8 Watt 36° flood

Cree chipset (5W)  
Lumiled chipset (7W)  
Soraa chipset (8W)  
Warm White (3000K)\*

\* Also available in 2700K. Add color suffix to lamp specification, e.g. "5W-NFL-2700K"

**Optical Accessories\*\***

- **HL1** Honeycomb louver, 1/8" [3mm] thick
- **PR** Prismatic spread lens
- **RT** Rectilinear spread lens

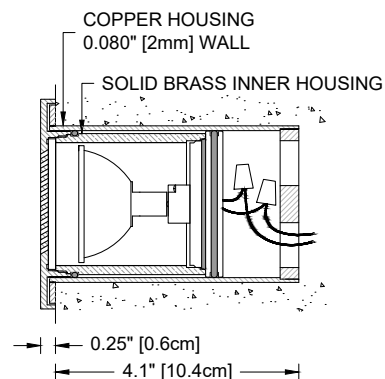
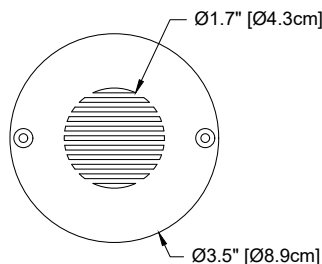
\*\*Maximum (2) accessories.

**Finish:** Unfinished is standard; no specification required. The fixture will weather to a natural patina. The patina process is natural with brass and copper. Rate of patina and eventual color is dependent upon climate and proximity to the ocean. Thus, Beachside does not guarantee any specific appearance.

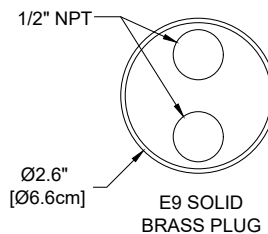
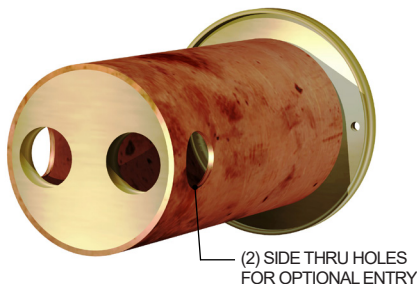
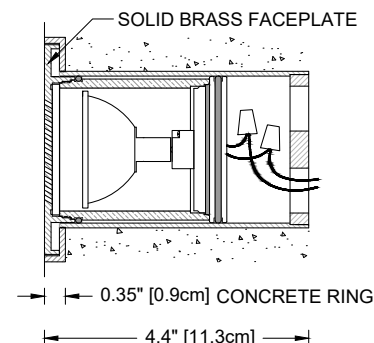
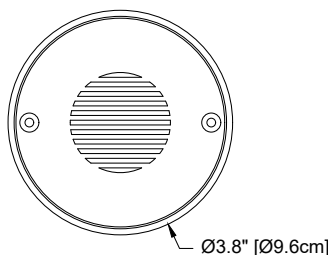
**Weight:** 4.4 lbs. [2.0 kg]

IP 67  
CSA Listed, file #190030  
10 year fixture warranty  
3 year warranty on MR16 LED lamps

**E9-RL**



**E9-RL-CR**



**MADE IN USA**

Project _____	By _____	Date _____
For ordering purposes, please specify (example: <b>E9-RL-CR—5W-NFL—RT</b> )		
<b>E9-RL-</b> _____	_____	_____
Fixture	Lamp	Accessory(ies)