

E9-SQL / E9-SQL-CR

The E9-SQL is a square, brass, recessed fixture with a louvered faceplate for mounting in floors, walls, or ceilings. Suitable for indoor or outdoor use.

E9-SQL: Surface-mounted trim

E9-SQL-CR: Adds CONCRETE RING for flush-mounted, recessed trim.



Construction Solid brass faceplate. Copper outer housing with wiring compartment, (2) 1/2" NPT taps in rear, and (2) #6-32 black oxide stainless steel screws.

Lens Tempered, frosted soda lime glass.

Voltage 12 Volts AC. Remote transformer required.

Lamps MR16 LED • GU5.3

Cree chipset AMBER (1500K)	— 5W-A-NFL	5 Watt AMBER	25° narrow flood TURTLE-FRIENDLY
	— 5W-SP	5 Watt	15° spot
	— 5W-NFL	5 Watt	25° narrow flood
	— 5W-FL	5 Watt	40° flood
	— 5W-FL/60	5 Watt	60° flood
Cree chipset (5W)	— 5W-WFL	5 Watt	100° wide flood
Lumiled chipset (7W)	— 7W-NFL	7 Watt	25° narrow flood
Soraa chipset (8W)	— 7W-FL	7 Watt	40° flood
Warm White (3000K)*	— 7W-WFL	7 Watt	60° wide flood
	— 8W-SP	8 Watt	10° spot
	— 8W-NFL	8 Watt	25° narrow flood
	— 8W-FL	8 Watt	36° flood

* Also available in 2700K. Add color suffix to lamp specification, e.g. "5W-NFL-2700K"

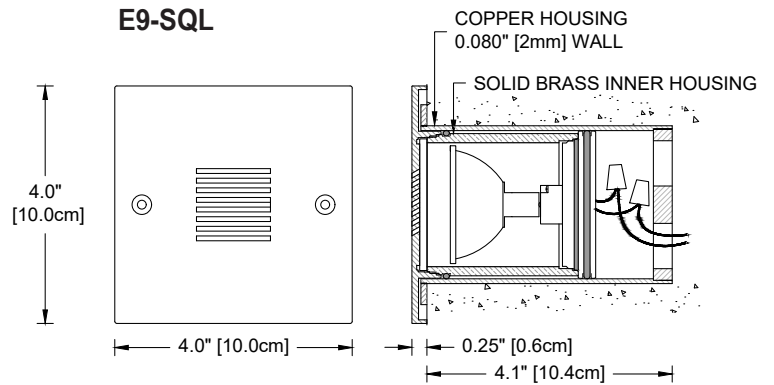
Optical Accessories**

- **HL1** Honeycomb louver, 1/8" [3mm] thick
- **PR** Prismatic spread lens
- **RT** Rectilinear spread lens

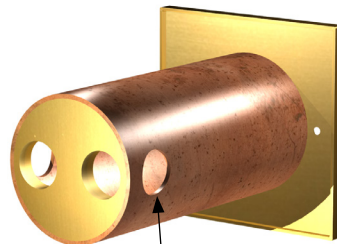
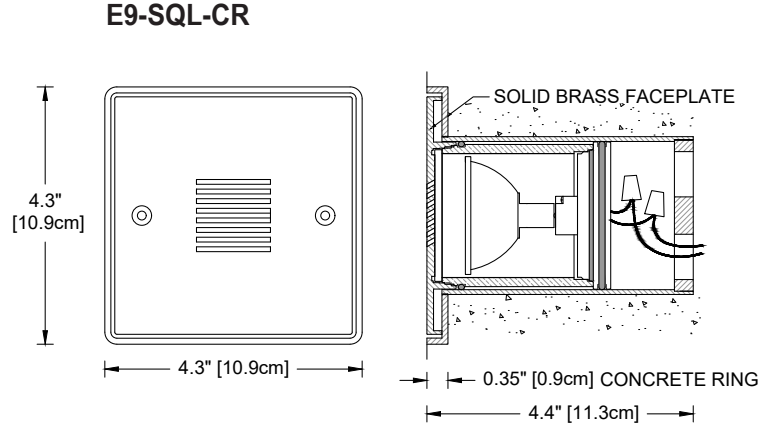
**Maximum (2) accessories.

Finish: Unfinished is standard; no specification required. The fixture will weather to a natural patina. The patina process is natural with brass and copper. Rate of patina and eventual color is dependent upon climate and proximity to the ocean. Thus, Beachside does not guarantee any specific appearance.

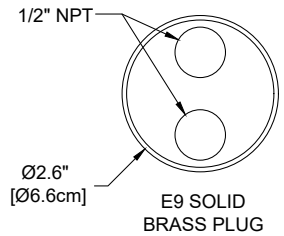
E9-SQL



E9-SQL-CR



(2) SIDE THRU HOLES FOR OPTIONAL ENTRY



Weight: 4.4 lbs. [2.0 kg]

IP 67
CSA Listed, file #190030
10 year fixture warranty
3 year warranty on MR16 LED lamps

MADE IN USA

Project _____	By _____	Date _____
For ordering purposes, please specify (example: E9-SQL-CR—5W-NFL—PR)		
E9-SQL- Fixture	— Lamp	— Accessory(ies)