

# L-011-CM2

The L-011-CM2 is a double, adjustable, wall-mounted fixture.



**Construction** All brass components. 0.140" [3.6mm] thick brass housing.

**Lens** Tempered soda lime glass.

**Mounting** **Round Canopy** (standard): Brass canopy mounts onto brass crossbar (included). Crossbar fits over 3.0" and 4.0" octagonal / round and single gang rectangular boxes.

**Square Canopy** (optional): Square brass canopy with same crossbar mounting as standard Round Canopy.

**L-011-CM2** 12 Volts, GU5.3 MR16, Remote transformer required

Halogen	— <b>BAB</b>	20 Watt	36° flood	
50 Watts max. each	— <b>FMV</b>	35 Watt	24° narrow flood	
	— <b>EXT</b>	50 Watt	12° spot	
	— <b>5W-SP</b>	5 Watt	15° spot	320 lm
	— <b>5W-NFL</b>	5 Watt	25° narrow flood	320 lm
Cree LED chipset	— <b>5W-FL</b>	5 Watt	40° flood	320 lm
Warm White (3000K)	— <b>5W-FL/60</b>	5 Watt	60° flood	320 lm
	— <b>5W-WFL</b>	5 Watt	100° wide flood	320 lm
	— <b>7W-NFL</b>	7 Watt	25° narrow flood	483 lm
LED	— <b>7W-FL</b>	7 Watt	40° flood	487 lm
Lumiled chipset (7W)	— <b>7W-WFL</b>	7 Watt	60° wide flood	483 lm
Soraa chipset (8W)	— <b>8W-SP</b>	8 Watt	10° spot	600 lm
Warm White (3000K)	— <b>8W-NFL</b>	8 Watt	25° narrow flood	630 lm
	— <b>8W-FL</b>	8 Watt	36° flood	630 lm

**L-011-CM2-120V** 120 Volts GU10 MR16 LED

**L-011-CM2-230V** 230 Volts

Cree chipset	— <b>5W-NFL</b>	5 Watt	25° narrow flood	320 lm
Warm White (3000K)	— <b>5W-FL</b>	5 Watt	40° flood	320 lm
	— <b>5W-WFL</b>	5 Watt	100° wide flood	360 lm
	— <b>8W-SP</b>	8 Watt	10° spot	600 lm
Soraa chipset	— <b>8W-NFL</b>	8 Watt	25° narrow flood	630 lm
Warm White (3000K)	— <b>8W-FL</b>	8 Watt	36° flood	630 lm

**Mounting Accessories**

— <b>SA</b>	Sure Aim locking rotation accessory
— <b>SQ2</b>	4.75" (12.1cm) Square canopy substitution for standard round canopy.

**Accessory** — **MS** Motion Sensor (120V)

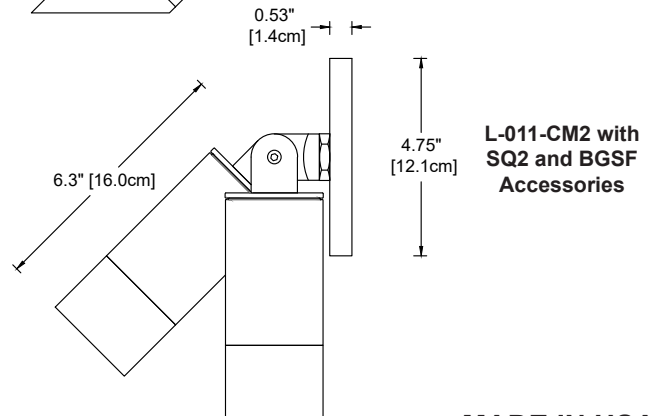
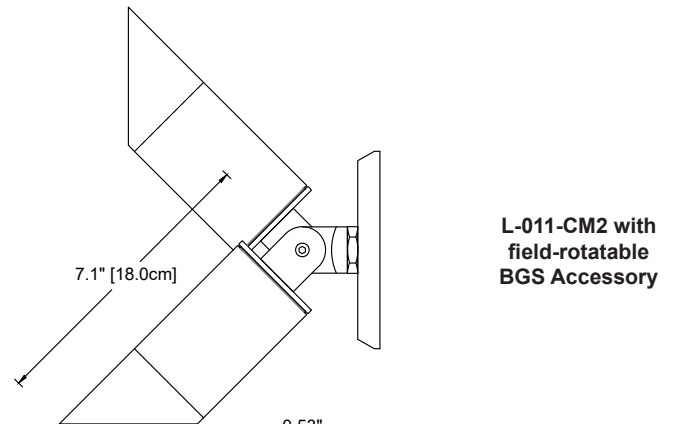
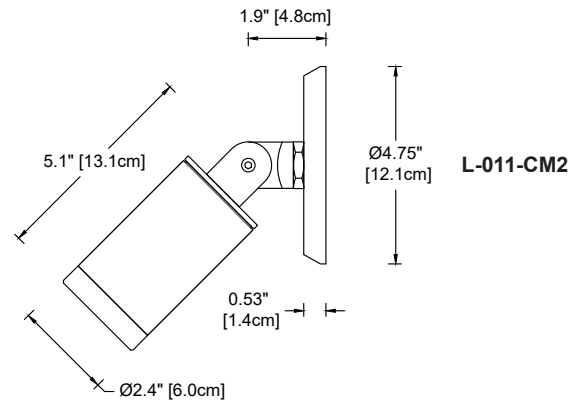
**Optical Accessories**

— <b>BGS</b>	Brass glare shield, 45° cutoff
— <b>BGSF</b>	Brass glare shield, full cutoff with weep hole
— <b>FR</b>	Frosted lens
— <b>HL1</b>	Honeycomb louver, 1/8" [3mm] thick
— <b>HL2</b>	Honeycomb louver, 1/4" [6mm] thick
— <b>PR</b>	Prismatic spread lens
— <b>RT</b>	Rectilinear spread lens
— <b>SL</b>	Solite lens

**Finish:** Unfinished is standard; no specification required. The fixture will weather to a natural patina. The patina process is natural with brass and copper. Rate of patina and eventual color is dependent upon climate and proximity to the ocean. Thus, Beachside does not guarantee any specific appearance.

**Weight:** 6.0 lbs. [2.7 kg]

IP 66  
CSA Listed, file #190030  
10 year fixture warranty  
3 year warranty on MR16 LED lamps



**MADE IN USA**

Project _____	By _____	Date _____
For ordering purposes, please specify (example: <b>L-011-CM2-120V-8W-NFL-BGS-8W-NFL-BGS-SQ2</b> )		
<b>L-011-CM2-</b>		
Fixture	Lamp 1	Accessory(ies)
		Lamp 1
		Lamp 2
		Accessory(ies)
		Lamp 2
		Other Accessory(ies)