

L-011-CM



Wildlife Lighting
Certification Number
2018-029

The L-011-CM is a fixed, ceiling-mounted downlight.

Construction All brass components. 0.140" [3.6mm] thick brass housing.

Lens Tempered soda lime glass.

Mounting **Round Canopy (standard):** Brass canopy mounts onto brass crossbar (included). Crossbar fits over 3.0" and 4.0" octagonal / round and single gang rectangular boxes.

Square Canopy (optional): Square brass canopy with same crossbar mounting as standard Round Canopy.

Small Square Canopy (optional): Two-part brass canopy mounts over 3.0-3.5" octagonal / round box only.

L-011-CM 12V • GU5.3 MR16 LED • Remote transformer required

Cree chipset
AMBER (1500K) — **5W-A-NFL** 5 Watt 25° narrow flood

12V • Cree XPG3 triple-LED light engines • remote transformer req'd

AMBER (1459K) — **7W-A-FL** 7 Watt 66° Beam, 109° Field 61 lm 48 cd

RED-ORANGE (1000K) — **8W-RO-NFL** 8 Watt 27° Beam, 43° Field 212 lm 884 cd
— **8W-RO-FL** 8 Watt 51° Beam, 78° Field 192 lm 254 cd

L-011-CM-120V 120 Volts GU10 MR16 LED

L-011-CM-230V 230 Volts
AMBER (1500K) — **5W-A-NFL** 5 Watt 25° narrow flood 79 lm 338 cd

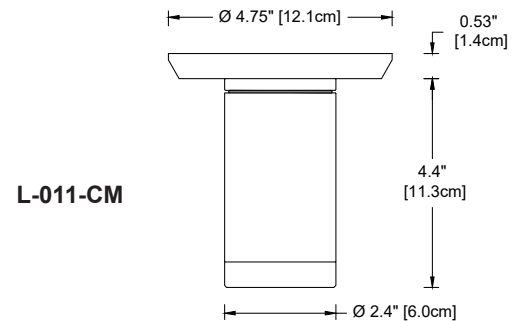
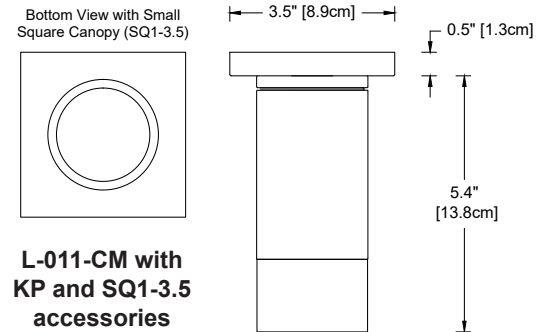
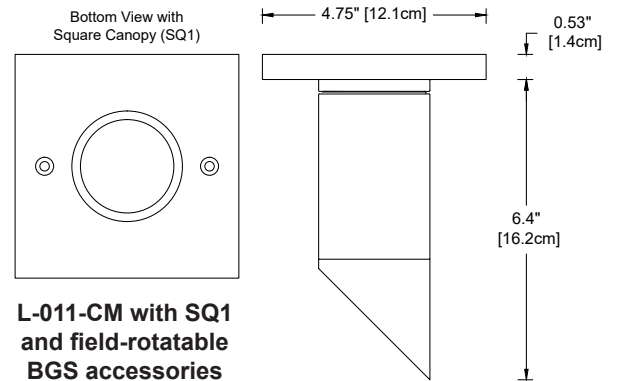
Mounting Accessories — **SQ1** 4.75" (12.1cm) Square canopy substitution.
— **SQ1-3.5** 3.5" (8.9cm) Small square canopy substitution. For 3.0-3.5" round or octagonal recessed box with screw spacing at 2.75" on center.

Optical Accessories — **BGS** Brass glare shield, 45° cutoff
— **FR** Frosted lens
— **HL1** Honeycomb louver, 1/8" [3mm] thick
— **HL2** Honeycomb louver, 1/4" [6mm] thick
— **KP** Extended snoot
— **PR** Prismatic spread lens
— **RT** Rectilinear spread lens
— **SL** Solite lens

Finish: Unfinished is standard; no specification required. The fixture will weather to a natural patina. The patina process is natural with brass and copper. Rate of patina and eventual color is dependent upon climate and proximity to the ocean. Thus, Beachside does not guarantee any specific appearance.

Weight: 3.1 lbs. [1.4 kg]

IP 66
CSA Listed, file #190030
10 year fixture warranty
5 year MR16 LED lamp warranty
3 year LED module warranty



Project	By	Date
For ordering purposes, please specify (example: L-011-CM-120V—5W-A-NFL—SQ1-3.5—BGS)		
L-011-CM-		
Fixture / Voltage	Lamp	Accessory(ies)