

# L-011-KP

The L-011-KP is a directional fixture that features an extended snoot — for **down-lighting** applications only. (For uplighting applications, use standard L-011 with BGSF full-cutoff glare shield, which has a weep hole.)



**Construction** All brass components. 0.140" [3.6mm] thick brass housing.

**Lens** Tempered soda lime glass.

**L-011-KP** 12 Volts • GU5.3 MR16 LED • Remote transformer required

___ <b>5W-SP</b>	5 Watt	15° spot
___ <b>5W-NFL</b>	5 Watt	25° narrow flood
___ <b>5W-FL</b>	5 Watt	40° flood
___ <b>5W-FL/60</b>	5 Watt	60° flood
Cree chipset (5W)	___ <b>5W-WFL</b>	5 Watt 100° wide flood
Lumiled chipset (7W)	___ <b>7W-NFL</b>	7 Watt 25° narrow flood
Soraa chipset (8W)	___ <b>7W-FL</b>	7 Watt 40° flood
Warm White (3000K)	___ <b>7W-WFL</b>	7 Watt 60° wide flood
	___ <b>8W-SP</b>	8 Watt 10° spot
	___ <b>8W-NFL</b>	8 Watt 25° narrow flood
	___ <b>8W-FL</b>	8 Watt 36° flood

**L-011-KP-120V** 120 Volts  
**L-011-KP-230V** 230 Volts  
GU10 MR16 LED • Remote ballast required

Soraa chipset	___ <b>8W-SP</b>	8 Watt 10° spot
Warm White (3000K)	___ <b>8W-NFL</b>	8 Watt 25° narrow flood
	___ <b>8W-FL</b>	8 Watt 36° flood

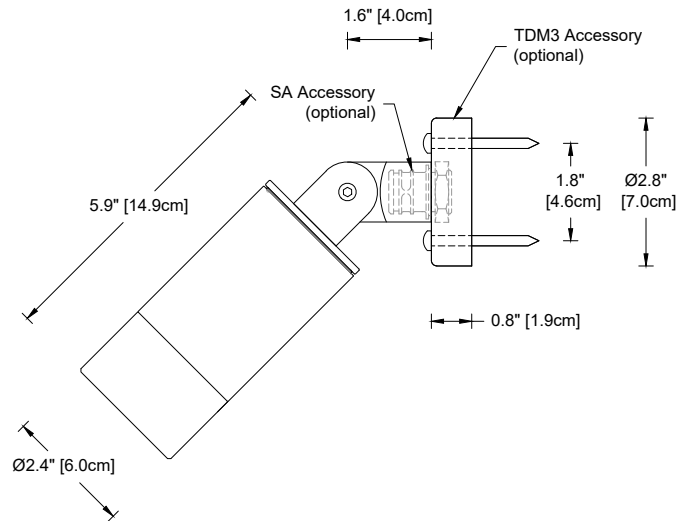
**Optical Accessories**

___ <b>FR</b>	Frosted lens
___ <b>HL1</b>	Honeycomb louver, 1/8" [3mm] thick
___ <b>PR</b>	Prismatic spread lens
___ <b>RT</b>	Rectilinear lens
___ <b>SL</b>	Solite lens

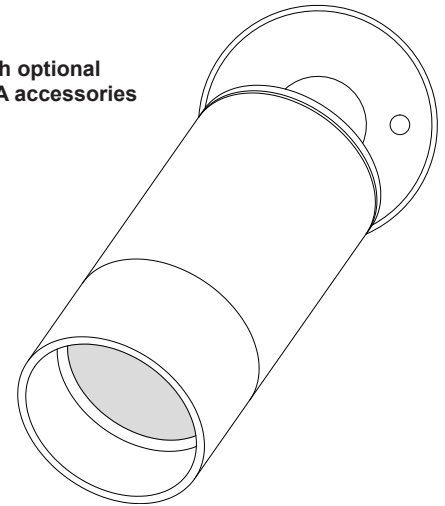
**Mounting Accessories**

___ <b>CM-M1</b>	4.75" diameter solid brass canopy, single-hole
___ <b>CM-M2</b>	4.75" diameter solid brass canopy, double-hole (Two fixture heads per canopy)
___ <b>CMF1</b>	3-1/4" x 3/8" brass canopy (SA accessory recommended)
___ <b>SA</b>	Sure Aim locking rotation accessory
___ <b>SQ1</b>	4.75" (12.1cm) Square brass canopy
___ <b>SQ1-3.5</b>	3.5" (9cm) Small square brass canopy. Mounts over 3.0-3.5" octagonal / round junction box only.
___ <b>TDM1</b>	*Brass tree/deck mount with stainless steel screws
___ <b>TDM2-__</b>	*Brass tree mount with nylon strap (48, 72, or 96")
___ <b>TDM2SS-__</b>	*Brass tree mount with stainless steel strap (48, 72, or 96")
___ <b>TDM3</b>	*Brass low-profile deck/wall mount (SA accessory recommended)
___ <b>TDM4</b>	*Brass low-profile tree mount with notch for wire (SA accessory recommended)
___ <b>TMJB-__</b>	Brass tree-mounted junction box, single fixture mount, stainless steel strap (48, 72, or 96")
___ <b>TMJB2-__</b>	Brass tree-mounted junction box, double fixture mount, stainless steel strap (48, 72, or 96")
___ <b>TMJBX</b>	Brass tree-mounted junction box, single fixture mount, stainless steel screws
___ <b>TMJB2X</b>	Brass tree-mounted junction box, double fixture mount, stainless steel screws

\* This accessory for 12 Volt fixture only.



L-011-KP with optional TDM3 and SA accessories



**Weight:** 2.3 lbs / 1 kg

**Finish:** Unfinished is standard; no specification required. The fixture will weather to a natural patina. The patina process is natural with brass and copper. Rate of patina and eventual color is dependent upon climate and proximity to the ocean. Thus, Beachside does not guarantee any specific appearance.

IP 66  
10 year fixture warranty  
3 year warranty for MR16 lamps

Project _____	By _____	Date _____
For ordering purposes, please specify (example: L-011-KP-120V-8W-SP-HL1-SA-TMJBX)		
<b>L-011-KP-</b>	---	---
Fixture	Lamp	Accessory