

# L-011-WA-S

The L-011-WA-S is an unobtrusive, directional fixture on a brass riser. It can be aimed up or down and is ideal for tall ground cover. This wide-angle (WA) version of the L-011-S positions the lamp closer to the lens to take advantage of wide flood optics.



**Construction** All brass components. 0.140" [3.6mm] thick brass housing. 1/2" schedule 40 brass stem.

**Lens** Tempered soda lime glass. Stepped to prevent pooling of water on lens.

**Stem Height** Custom stem heights are available upon request. Standard stem heights are:

- 8** 8" [20 cm]
- 12** 12" [30 cm]
- 16** 16" [40 cm]
- 20** 20" [51 cm]

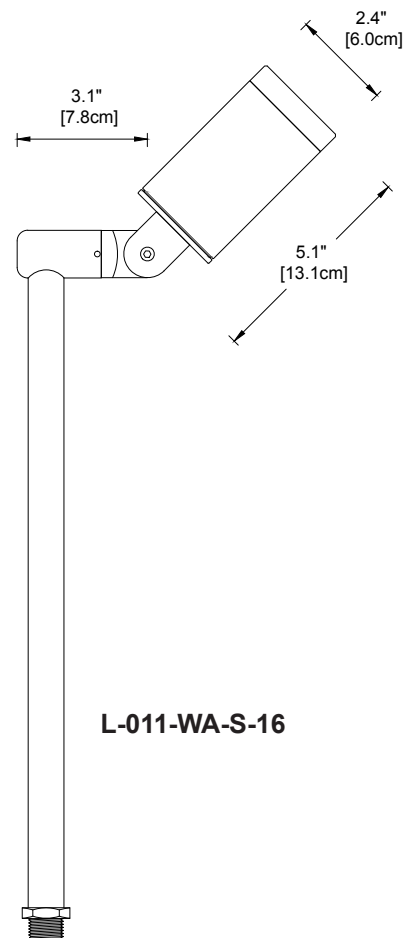
**Lamps** 12 Volts, remote transformer required  
GU5.3 • MR16 LED • Warm White (3000K)

- Cree chipset (5W)  **5W-WFL** 5 Watt 100° wide flood 320 lm
- Lumiled chipset (7W)  **7W-WFL** 7 Watt 60° wide flood 483 lm

- Optical Accessories**
- BGS1** Brass glare shield, 45° cutoff
  - FR** Frosted lens
  - HL1** Honeycomb louver, 1/8" [3mm] thick
  - HL2** Honeycomb louver, 1/4" [6mm] thick
  - PR** Prismatic spread lens
  - RT** Rectilinear spread lens
  - SL** Solite lens

- Mounting Accessories** 1/2" male threads. Mounts into any standard j-box or:
- GS2** Heavy-duty ground spike
  - GS2BC** Heavy-duty ground spike with cast brass cap
  - GS3R** Heavy-duty ground spike with brass cap for telescoping fixture riser
  - GS4** Standard ground spike with cast brass cap
  - JB** Cast brass junction box

**Finish:** Unfinished is standard; no specification required. The fixture will weather to a natural patina. The patina process is natural with brass and copper. Rate of patina and eventual color is dependent upon climate and proximity to the ocean. Thus, Beachside does not guarantee any specific appearance.



IP 66  
CSA Listed, file #190030  
10 year fixture warranty  
3 year warranty for MR16 LED lamps

**Weight:** 4.0 lbs [1.8 kg] with 16" stem

**MADE IN USA**

Project	By	Date
For ordering purposes, please specify (example: <b>L-011-WA-S-16-5W-WFL-GS2-FR-HL1</b> )		
<b>L-011-WA-S</b>	—	—
Fixture	Stem Height	Accessory