

L-011-WA-S2

The L-011-WA-S2 is an unobtrusive, double directional fixture on a brass riser. It can be aimed up or down and is ideal for tall ground cover. This wide-angle (WA) version of the L-011-S2 positions the lamp closer to the lens to take advantage of wide flood optics.



Construction All brass components. 0.140" [3.6mm] thick brass housing. 1/2" schedule 40 brass stem.

Lens Tempered soda lime glass. Stepped to prevent pooling of water on lens.

Stem Height Custom stem heights are available upon request. Standard stem heights are:

— 8	8" [20 cm]
— 12	12" [30 cm]
— 16	16" [40 cm]
— 20	20" [51 cm]

Lamps (2x) 12 Volts, remote transformer required
GU5.3 • MR16 LED • Warm White (3000K)

Cree chipset (5W)	— 5W-WFL	5 Watt	100° wide flood	320 lm
Lumiled chipset (7W)	— 7W-WFL	7 Watt	60° wide flood	483 lm

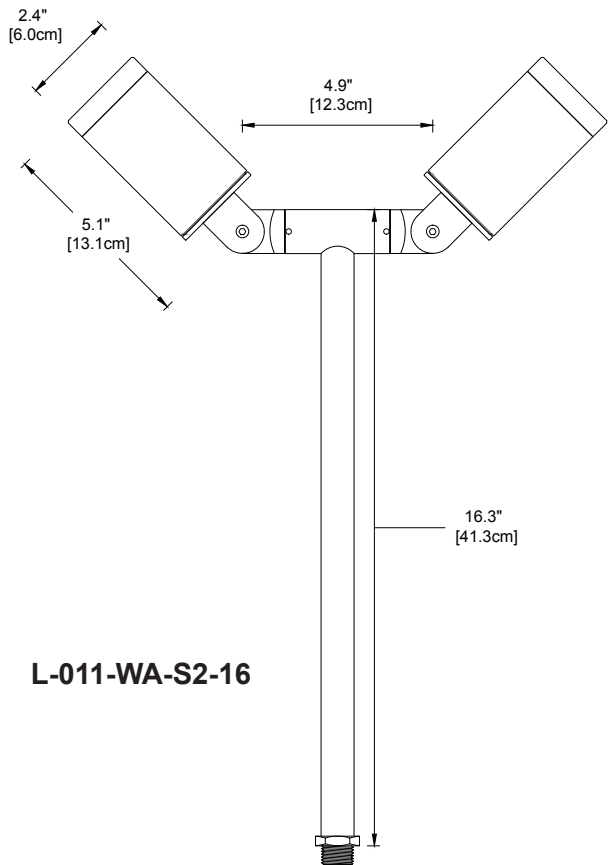
Optical Accessories

- **BGS1** Brass glare shield, 45° cutoff
- **FR** Frosted lens
- **HL1** Honeycomb louver, 1/8" [3mm] thick
- **HL2** Honeycomb louver, 1/4" [6mm] thick
- **PR** Prismatic spread lens
- **RT** Rectilinear spread lens
- **SL** Solite lens

Mounting Accessories 1/2" male threads. Mounts into any standard j-box or:

- **GS2** Heavy-duty ground spike
- **GS2BC** Heavy-duty ground spike with cast brass cap
- **GS3R** Heavy-duty ground spike with brass cap for telescoping fixture riser
- **GS4** Standard ground spike with cast brass cap
- **JB** Cast brass junction box

Finish: Unfinished is standard; no specification required. The fixture will weather to a natural patina. The patina process is natural with brass and copper. Rate of patina and eventual color is dependent upon climate and proximity to the ocean. Thus, Beachside does not guarantee any specific appearance.



L-011-WA-S2-16

IP 66
CSA Listed, file #190030
10 year fixture warranty
3 year warranty for MR16 lamps

Weight: 6.6 lbs [3.0 kg] with 16" stem

MADE IN USA

Project	By	Date
For ordering purposes, please specify (example: L-011-WA-S2-16-5W-WFL-FR-5W-WFL-RT-GS2BC)		
L-011-WA-S2		
Fixture	Stem Height	Lamp 1
		Lamp Accessory
		Lamp 2
		Lamp Accessory
		Accessory