

L-012

The L-012 is a solid brass steplight with a recessed housing.



Construction Cast brass faceplate. 1/8" [3mm] thick brass recessed housing.

Lens Tempered soda lime glass.

Lens Choices

___ CL	Clear glass
___ FR	Frosted glass
___ RT	Rectilinear spread lens

Voltage 12 Volts AC. Remote transformer required.

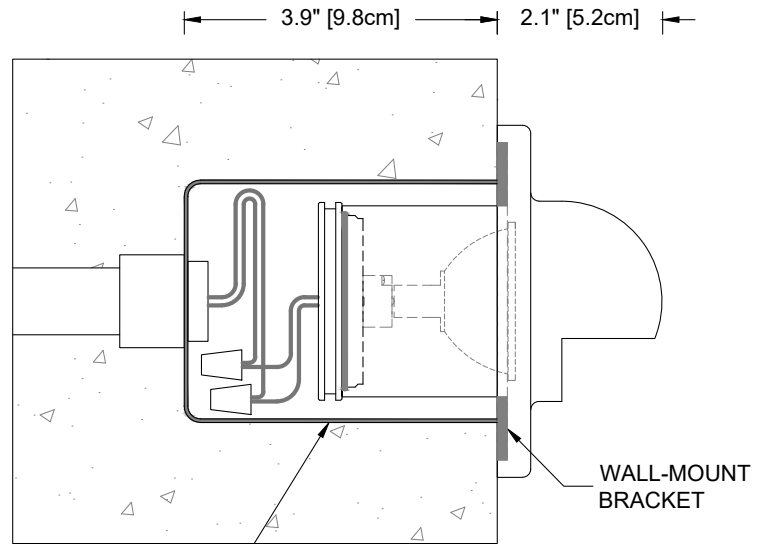
Mounting Suitable for outside recessed wall mounting only, in both combustible and non-combustible surfaces. A 3" diameter x 3.9" deep [7.6 x 9.8cm] hole is required. A spacer is included for this purpose.

Lamps Combustible surface installation limited to 10 Watt max.
GU5.3 • MR16

Halogen	___ BAB	20 Watt	36° narrow flood
20 Watt maximum	___ BAB/60	20 Watt	60° flood

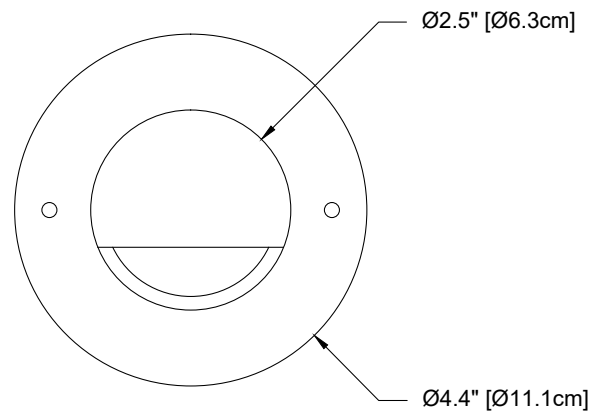
Cree LED chipset Amber (1500K) TURTLE FRIENDLY	___ 5W-A-NFL	5 Watt	25° narrow flood
---	--------------	--------	------------------

LED	___ 5W-SP	5 Watt	15° spot	320 lm
Cree chipset (5W)	___ 5W-NFL	5 Watt	25° narrow flood	320 lm
Lumiled chipset (7W)	___ 5W-FL	5 Watt	40° flood	320 lm
Soraa chipset (8W)	___ 5W-FL/60	5 Watt	60° flood	320 lm
Warm White (3000K)	___ 5W-WFL	5 Watt	100° wide flood	320 lm
	___ 7W-NFL	7 Watt	25° narrow flood	483 lm
	___ 7W-FL	7 Watt	40° flood	487 lm
	___ 7W-WFL	7 Watt	60° wide flood	483 lm
	___ 8W-SP	8 Watt	10° spot	500 lm
	___ 8W-NFL	8 Watt	25° narrow flood	525 lm
	___ 8W-FL	8 Watt	36° flood	525 lm



Ø3 x 3.9" COPPER TUBING
TWO HOLES IN BACK AND
TWO IN SIDE FOR 1/2" CONDUIT

Finish: Unfinished is standard; no specification required. The fixture will weather to a natural patina. The patina process is natural with brass and copper. Rate of patina and eventual color is dependent upon climate and proximity to the ocean. Thus, Beachside does not guarantee any specific appearance.



Weight: 3.7 lbs. [1.7 kg]

IP 66
CSA Listed, file #190030
10 year fixture warranty
3 year warranty on MR16 LED lamps

MADE IN USA

Project	By	Date
For ordering purposes, please specify (example: L-012—CL—5W-FL)		
L-012	___	___
Fixture	Lens	Lamp