

L-012F

The L-012F is a cast brass steplight for surface-mount applications.

- Construction** Cast brass faceplate.
- Lens** Tempered, frosted dome glass.
- Voltage** 12 Volts AC. Remote transformer required.
- Mounting** Surface mount to wall. Mounting bracket allows for use with 4-inch octagonal box with standard diagonal hole spacing.

Installation Options

C L-012-C for *Combustible* installation (wood) only

- Lamps:**
- 1W-G4** 1 Watt LED (2800K - Warm White)
 - 3W-G4** 3 Watt LED (2800K - Warm White)
 - G4 base
 - 15 Watt max. Xenon **10X** 10 Watt Xenon
 - 10 Watt max. Halogen **15X** 15 Watt Xenon
 - 10H** 10 Watt Halogen

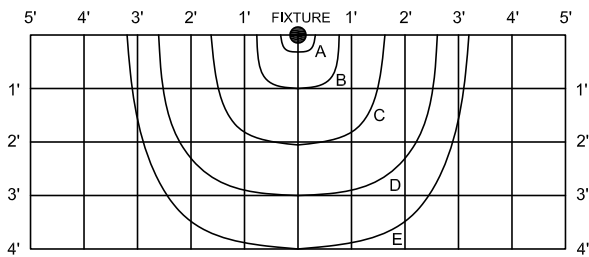
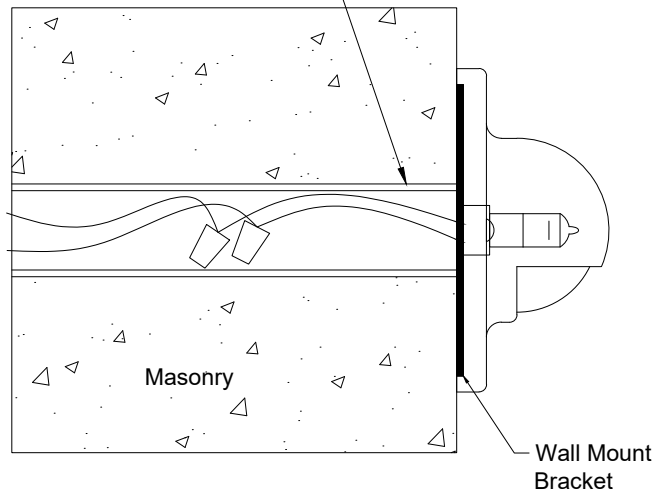
NC L-012-NC for *NON-Combustible* installation (masonry) only

- Lamps:**
- 1W-G4** 1 Watt LED (2800K - Warm White)
 - 3W-G4** 3 Watt LED (2800K - Warm White)
 - G4 base
 - 20 Watt max. Xenon **10X** 10 Watt Xenon
 - 35 Watt max. Halogen **15X** 15 Watt Xenon
 - 20X** 20 Watt Xenon
 - 10H** 10 Watt Halogen
 - 20H** 20 Watt Halogen
 - 35H** 35 Watt Halogen

Finish: Unfinished is standard; no specification required. The fixture will weather to a natural patina. The patina process is natural with brass and copper. Rate of patina and eventual color is dependent upon climate and proximity to the ocean. Thus, Beachside does not guarantee any specific appearance.

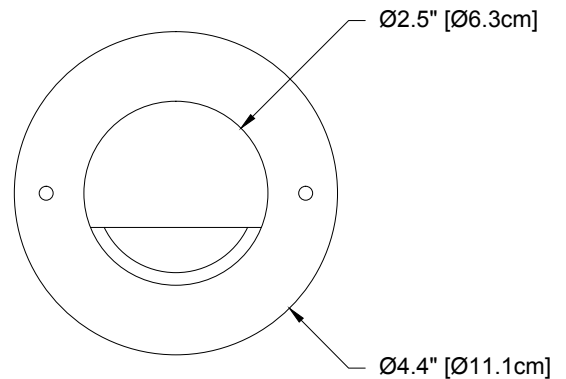


1" - 2.5" PVC Conduit (by others)
[cut flush at wall] → 2.1" [5.2cm] ←



| Horizontal Footcandles at Floor Level with Fixture Mounted at 18" High | | | | | |
|---|------|------|------|------|------|
| Lamp | A | B | C | D | E |
| 1W | 2.37 | 0.83 | 0.26 | 0.12 | 0.06 |
| 3W-G4 | 9.1 | 4.0 | 1.8 | 0.7 | 0.3 |
| 10X | 7.5 | 3.5 | 1.1 | 0.3 | 0.1 |
| 15X | 11.1 | 5.2 | 1.6 | 0.5 | 0.2 |
| 20X | 15.0 | 7.0 | 2.2 | 0.7 | 0.2 |
| 10H | 9.0 | 6.0 | 1.9 | 0.5 | 0.2 |
| 20H | 18.0 | 12.0 | 4.0 | 1.0 | 0.5 |
| 35H | 27.8 | 17.8 | 7.1 | 1.5 | 0.8 |

L-012F-NC



IP 66
CSA Listed, file #190030
10 year fixture warranty

MADE IN USA

Weight: 1.4 lbs. [0.6 kg]

| | | |
|--|----------------------|------------|
| Project _____ | By _____ | Date _____ |
| For ordering purposes, please specify (example: L-012F-NC-15X) | | |
| L-012F | _____ | _____ |
| Fixture | Type of Installation | Lamp |