

L-016R-F



Wildlife Lighting
Certification Number
2018-029

The L-016R-F recessed fixture combines the flexibility of a standard MR16 lamp with the corrosion resistance expected of a Beachside fixture. The gasket on the brass trim securely seals up against the bottom of the recessed, stainless steel can and the frame is powder-coated steel. An internal brass bracket assembly allows 360° rotation and angling up to 28° without an optical accessory (no beam cutoff with 40° flood lamp) or 10° with. The L-016R-F is intended for remodel applications and is integrated with magnetic transformers (120V primary, 12V secondary). The "-F" designation denotes the flat trim versus the raised trim of the L-016R.

Housing Recessed ceiling fixture for remodel applications.

Mounting Low silhouette design for use in solid or suspended ceilings. Features "Outrigger"-style transformer placement with adjustable foot support. Fixture is easily installed through ceiling opening. Four retractable mounting clips lock fixture in place. For insulated ceilings, maintain a minimum 3" clearance around fixture.

Electrical Prewired with 12/120V thermally protected, Class H, magnetic transformer. Transformer is conveniently mounted to end of junction box. Six (6) 1/2" K.O.'s, four (4) Romex K.O.'s and spring latch access plates in j-box. Removable porcelain socket is wired with Molex connector to j-box.

Lenses Tempered soda lime glass.

- CL** Clear
- FR** Frosted

Lamps MR16 LED • GU5.3

Cree chipset
AMBER (1500K) **5W-A-NFL** 5 Watt 25° narrow flood 83 lm

Cree XPG3 triple-LED light engines

Cree XPG3 triple LED
AMBER (1459K) **7W-A-FL** 7 Watt 66° Beam, 109° Field 61 lm 48 cd

Red-Orange (1000K) **10W-RO-NFL** 10 Watt 27° Beam, 43° Field 212 lm 884 cd
 10W-RO-FL 10 Watt 51° Beam, 78° Field 192 lm 254 cd

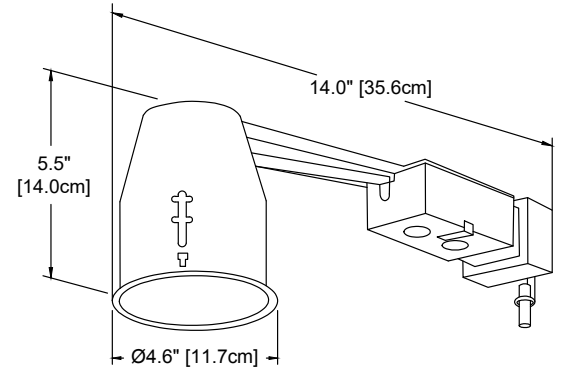
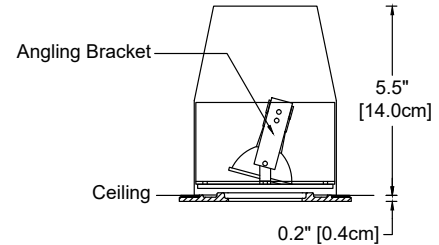
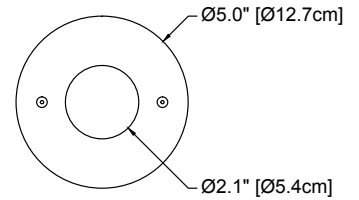
Accessories **HL-MR16** Lamp-attached honeycomb louver, 1/8" (3mm) thick
 (only one available) **PR-MR16** Lamp-attached prismatic spread lens

Finish

- FIN-BK** Black Acid Finish
- FIN-DB** Dark Bronze Acid Finish
- FIN-NA** Nickel Acid Finish
- FIN-WH** White Powder Coating

Unfinished is standard; no specification required. The fixture will weather to a natural patina. The patina process is natural with brass and copper. Rate of patina and eventual color is dependent upon climate and proximity to the ocean. Thus, Beachside does not guarantee any specific appearance.

Weight: 7 lbs [3.2 kg]



Ceiling Opening: Ø4-1/8"
 Max Ceiling Thickness: 1-1/4"

IP 66
 CSA Listed, file #190030
 10 year fixture warranty
 3 year LED module warranty
 3 year warranty of MR16 LED lamps



**SUITABLE FOR INDOOR
 USE UP TO 12W LED**

Project _____	By _____	Date _____
For ordering purposes, please specify (example: L-016R-F-CL-5W-A-NFL-HL-MR16-FIN-BK)		
L-016R-F	—	—
Fixture	Lens	Lamp
—	—	—
Accessory	—	Finish (if any)