

# L-016R



**Wildlife Lighting**  
**Certification Number**  
**2018-029**

The L-016R recessed fixture combines the flexibility of a standard MR16 lamp with the corrosion resistance expected of a Beachside fixture. The gasket on the brass trim securely seals up against the bottom of the recessed, stainless steel can and the frame is powder-coated steel. An internal brass bracket assembly allows 360° rotation and angling up to 16° before any cutoff with a 36° flood lamp (19° with 25° narrow flood). The L-016R is intended for remodel applications and is integrated with magnetic transformers (120V primary, 12V secondary).

**Housing** Recessed ceiling fixture for remodel applications.

**Mounting** Low silhouette design for use in solid or suspended ceilings. Features "Outrigger"-style transformer placement with adjustable foot support. Fixture is easily installed through ceiling opening. Four retractable mounting clips lock fixture in place. For insulated ceilings, maintain a minimum 3" clearance around fixture.

**Electrical** Prewired with 12/120V thermally protected, Class H, magnetic transformer. Transformer is conveniently mounted to end of junction box. Six (6) 1/2" K.O.'s, four (4) Romex K.O.'s and spring latch access plates in j-box. Removable porcelain socket is wired with Molex connector to j-box.

**Lenses** Tempered soda lime glass.

- CL** Clear
- FR** Frosted

**Lamps** MR16 LED • GU5.3

Cree chipset AMBER (1500K)	<input type="checkbox"/> <b>5W-A-NFL</b>	5 Watt	25° narrow flood	83 lm	
Cree XPG3 triple-LED light engines					
Cree XPG3 triple LED AMBER (1459K)	<input type="checkbox"/> <b>7W-A-FL</b>	7 Watt	66° Beam, 109° Field	61 lm	48 cd
Red-Orange (1000K)	<input type="checkbox"/> <b>10W-RO-NFL</b>	10 Watt	27° Beam, 43° Field	212 lm	884 cd
	<input type="checkbox"/> <b>10W-RO-FL</b>	10 Watt	51° Beam, 78° Field	192 lm	254 cd

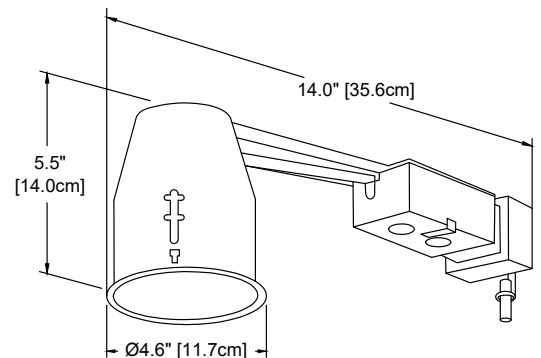
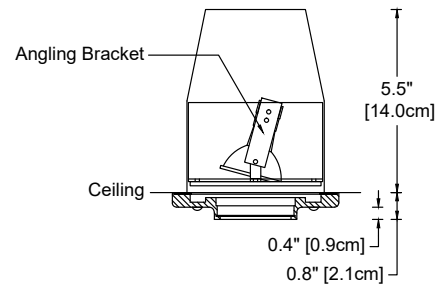
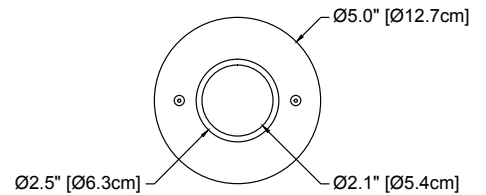
**Accessories**  **HL-MR16** Lamp-attached honeycomb louver, 1/8" (3mm) thick  
 **PR-MR16** Lamp-attached prismatic spread lens  
(only one available)

**Finish**  **FIN-BK** Black Acid Finish  
 **FIN-DB** Dark Bronze Acid Finish  
 **FIN-NA** Nickel Acid Finish  
 **FIN-WH** White Powder Coating

Unfinished is standard; no specification required. The fixture will weather to a natural patina. The patina process is natural with brass and copper. Rate of patina and eventual color is dependent upon climate and proximity to the ocean. Thus, Beachside does not guarantee any specific appearance.

**Weight:** 7 lbs [3.2 kg]

IP 66  
 CSA Listed, file #190030  
 10 year fixture warranty  
 3 year LED module warranty  
 3 year warranty of MR16 LED lamps



Ceiling Opening: Ø4-1/8"  
 Max Ceiling Thickness: 1-1/4"



**SUITABLE FOR INDOOR  
 USE UP TO 12W LED**

Project	By	Date
For ordering purposes, please specify (example: <b>L-016R-CL-5W-A-NFL-HL-MR16-FIN-BK</b> )		
<b>L-016R</b>		
Fixture	Lens	Lamp
		Accessory
		Finish (if any)