

L-017-A / L-017-A-CR

The L-017-A is a brass and composite, in-ground pathlight for high-traffic and drive-over applications. Ideal for paths with low ground cover. The integrated junction box at the base of the housing has two 3/4" NPT-tapped holes for conduit entry on the bottom and two more on opposite side walls.



L-017-A At-grade application for soil, gravel, or brick

L-017-A-CR Same as L-017-A but with a **CONCRETE RING** for fully recessed concrete installation

Construction Cast brass base, cover, and dome on a composite housing

Lens Frosted, borosilicate glass.

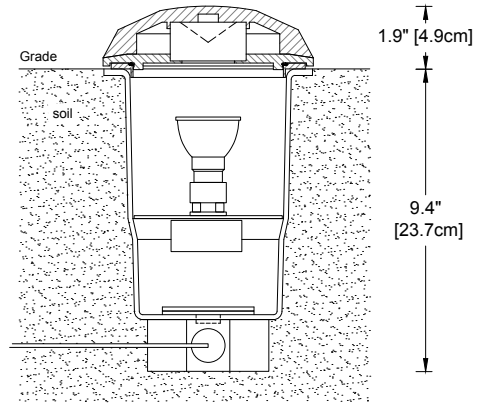
Voltage 120 or 230 Volts AC with integral ballast

Lamps GX10 base • MR16 • 39 Watts maximum

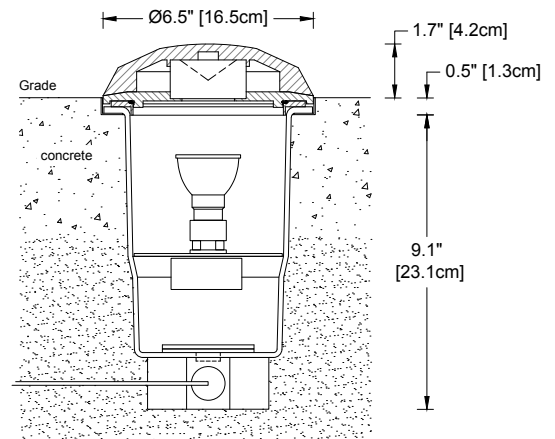
- **MH20MR16SP** 20 Watt Ceramic Metal Halide (3000K)
- **MH39MR16SP** 39 Watt Ceramic Metal Halide (3000K)

- Accessories**
- **HS17-1** Shield for single-sector illumination
 - **HS17-2** Shield for dual adjacent sector illumination
 - **HS17-OP** Shield for opposite sector illumination

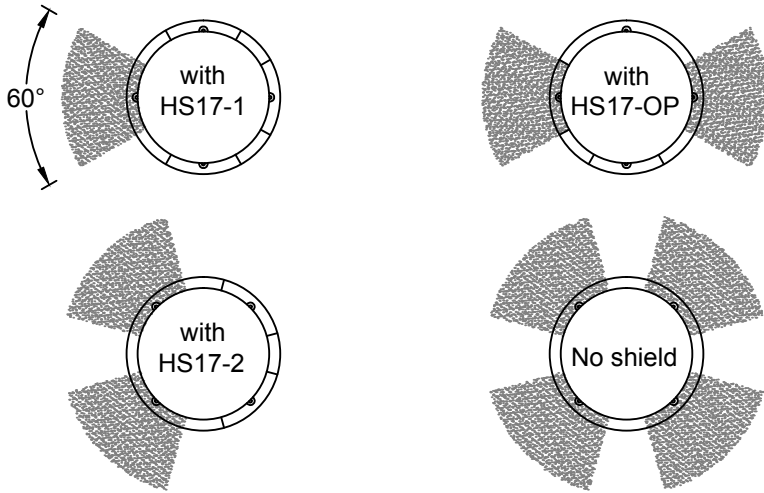
Finish: Unfinished is standard; no specification required. The fixture will weather to a natural patina. The patina process is natural with brass and copper. Rate of patina and eventual color is dependent upon climate and proximity to the ocean. Thus, Beachside does not guarantee any specific appearance.



L-017-A



L-017-A-CR



Weight: 11 lbs. [4.8 kg]

IP 67
 CSA Listed, file #190030
 10 year fixture warranty
 3 year warranty on MR16 LED lamps
 Drive-over static load rating: 24,000 lbs

Fixtures supplied with 15 ft. [4.6 m] type SJOOW cord for remote connectors.

MADE IN USA

L-017-A Horizontal Footcandle Readings at Horizontal Distance from Fixture

Lamp	1' / 0.3m	2' / 0.6m	3' / 0.9m	4' / 1.2m	5' / 1.5m	6' / 1.8m	7' / 2.1m	8' / 2.4m	9' / 2.7m	10' / 3.0m
MH20MR16SP	32.40	8.01	3.72	1.81	1.18	0.77	0.55	0.45	0.40	0.34
MH39MR16SP	67.2	21.01	9.71	5.49	3.08	2.11	1.49	1.19	0.92	0.69

Project _____ By _____ Date _____

For ordering purposes, please specify (example: **L-017-A-CR—MH20MR16SP—HS17-2**)

L-017-A- _____ Lamp _____ Accessory (if any) _____

Fixture _____