

L-017-B / L-017-B-CR

The L-017-B is a brass and composite, in-ground pathlight for high-traffic and drive-over applications. Ideal for paths with low ground cover. The integrated junction box at the base of the housing has two 3/4" NPT-tapped holes for conduit entry on the bottom and two more on opposite side walls.



L-017-B-120V: 120V At-grade application for soil, gravel, or brick

L-017-B-CR-120V: 120V Same as L-017-B-120V but with a **CONCRETE RING** for fully recessed concrete installation

L-017-B-230V: 230V At-grade application for soil, gravel, or brick

L-017-B-CR-230V: 230V Same as L-017-B-230V but with a **CONCRETE RING** for fully recessed concrete installation

Construction Cast brass base, cover, and dome on a composite housing

Lens Frosted, borosilicate glass

Voltage 120 or 230 Volts with integral transformer

Lamps GU5.3 base • MR16

50 Watts maximum

- **BBF** 20 Watt Halogen
- **FMV** 35 Watt Halogen
- **EXZ** 50 Watt Halogen

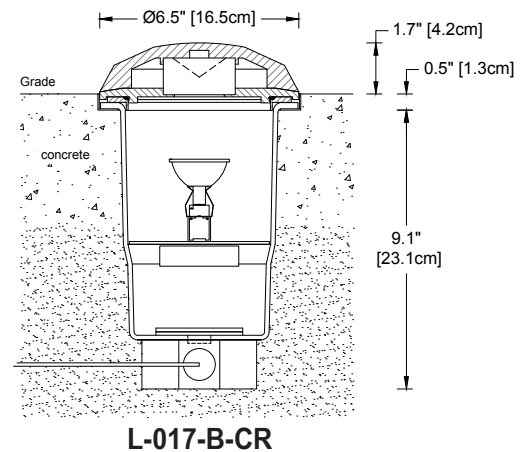
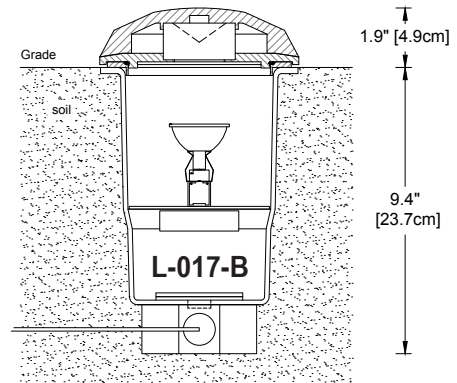
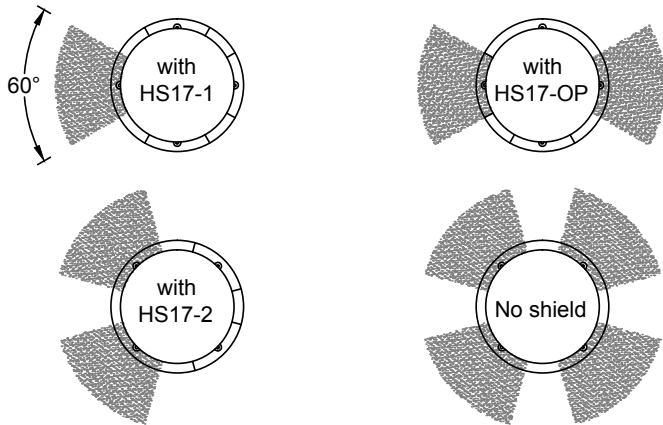
- **5W-A-NFL** 5 Watt Amber (1500K)
- **5W-NFL** 5 Watt Warm White (3000K)
- **7W-NFL** 7 Watt Warm White (3000K)
- **8W-NFL** 8 Watt Warm White (3000K)

Cree chipset (5W)
Lumiled chipset (7W)
Soraa chipset (8W)

Accessories

- **HS17-1** Shield for single-sector illumination
- **HS17-2** Shield for dual adjacent sector illumination
- **HS17-OP** Shield for opposite sector illumination

Finish: Unfinished is standard; no specification required. The fixture will weather to a natural patina. The patina process is natural with brass and copper. Rate of patina and eventual color is dependent upon climate and proximity to the ocean. Thus, Beachside does not guarantee any specific appearance.



IP 67
CSA Listed, file #190030
10 year fixture warranty
3 year warranty on MR16 LED lamps
Drive-over static load rating: 24,000 lbs

Weight: 11 lbs. [4.8 kg]

MADE IN USA

Fixtures supplied with 15 ft. [4.6 m] type SJOOW cord for remote connectors.

L-017-B Footcandle Readings at Horizontal Distance from Fixture

Lamp	1' / 0.3m	2' / 0.6m	3' / 0.9m	4' / 1.2m	5' / 1.5m	6' / 1.8m	7' / 2.1m	8' / 2.4m	9' / 2.7m	10' / 3.0m
BBF	1.44	0.52	0.24	0.15	0.10	0.07	0.06	0.05	0.03	0.02
FMV	2.95	0.96	0.47	0.28	0.19	0.13	0.10	0.08	0.06	0.04
EXZ	6.51	2.10	1.06	0.62	0.40	0.28	0.21	0.16	0.12	0.09
5W-A-NFL	6.77	2.09	0.98	0.49	0.29	0.18	0.16	0.12	0.10	0.06
5W-NFL	8.95	3.08	1.36	0.71	0.42	0.27	0.20	0.15	0.12	0.11
8W-NFL	22.21	7.62	3.41	1.72	1.03	0.67	0.48	0.38	0.31	0.29

Project _____	By _____	Date _____
For ordering purposes, please specify (example: L-017-B-CR-230V—5W-NFL—HS17-2)		
L-017-B- _____	V _____	_____
Fixture	Lamp	Accessory (if any)