

# L-017-C / L-017-C-CR

The L-017-C is a brass and composite, in-ground pathlight for high-traffic and drive-over applications. Ideal for paths with low ground cover. The integrated junction box at the base of the housing has two 3/4" NPT-tapped holes for conduit entry on the bottom and two more on opposite side walls.



- L-017-C-120V:** 120V At-grade application for soil, gravel, or brick
- L-017-C-CR-120V:** 120V Same as L-017-C-120V but with a **CONCRETE RING** for fully recessed concrete installation
- L-017-C-230V:** 230V At-grade application for soil, gravel, or brick
- L-017-C-CR-230V:** 230V Same as L-017-C-230V but with a **CONCRETE RING** for fully recessed concrete installation

**Construction** Cast brass base, cover, and dome on a composite housing

**Lens** Frosted, borosilicate glass.

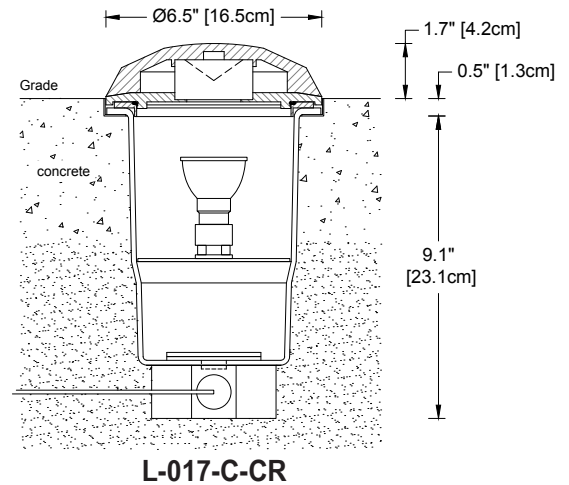
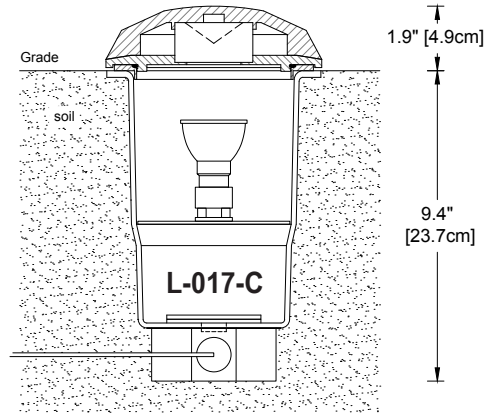
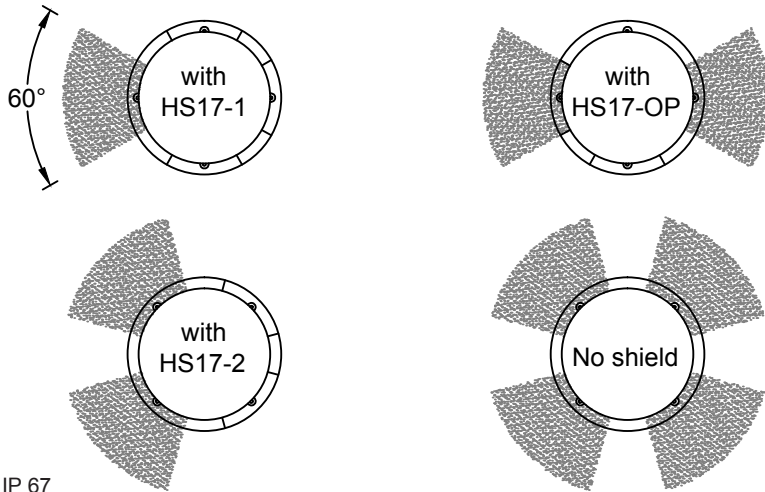
**Voltage** 120 or 230 Volts

**Lamps** GU10 base • MR16

- Cree chipset    **5W-NFL**    5 Watt LED Warm White (3000K)
- Soraa chipset    **8W-NFL**    8 Watt LED Warm White (3000K)
- Cree chipset    **5W-A-NFL**    5 Watt LED Amber (1500K)

- Accessories**
- HS17-1**    Shield for single-sector illumination
  - HS17-2**    Shield for dual adjacent sector illumination
  - HS17-OP**    Shield for opposite sector illumination

**Finish:** Unfinished is standard; no specification required. The fixture will weather to a natural patina. The patina process is natural with brass and copper. Rate of patina and eventual color is dependent upon climate and proximity to the ocean. Thus, Beachside does not guarantee any specific appearance.



Fixtures supplied with 15 ft. [4.6 m] type SJOOW cord for remote connectors.

Weight: 11 lbs. [4.8 kg]

**MADE IN USA**

IP 67  
 CSA Listed, file #190030  
 10 year fixture warranty  
 3 year warranty on MR16 LED lamps  
 Drive-over static load rating: 24,000 lbs

## L-017-C Horizontal Footcandle Readings at Horizontal Distance from Fixture

Lamp	1' / 0.3m	2' / 0.6m	3' / 0.9m	4' / 1.2m	5' / 1.5m	6' / 1.8m	7' / 2.1m	8' / 2.4m	9' / 2.7m	10' / 3.0m
5W-A-NFL	6.77	2.09	0.98	0.49	0.29	0.18	0.16	0.12	0.10	0.06
5W-NFL	8.95	3.08	1.36	0.71	0.42	0.27	0.20	0.15	0.12	0.11
8W-NFL	28.7	8.95	4.05	2.32	1.46	0.98	0.75	0.57	0.46	0.35

Project _____	By _____	Date _____
For ordering purposes, please specify (example: <b>L-017-C-CR-230V—5W—HS17-2</b> )		
<b>L-017-C-</b> _____	<b>V</b> _____	_____
Fixture	Lamp	Accessory (if any)