

# L-017 / L-017-CR

The L-017 is a brass and composite, in-ground pathlight for high-traffic and drive-over applications. Ideal for paths with low ground cover.



**L-017** At-grade application for soil, gravel, or brick

**L-017-CR** Same as L-017 but with a **CONCRETE RING** for fully recessed concrete installation

**Construction** Cast brass base, cover, and dome on a composite housing

**Lens** Frosted, borosilicate glass.

**Voltage** 12 Volts AC. Remote transformer required.

**Lamps** GU5.3 • MR16

50 Watts maximum

- **BBF** 20 Watt Halogen
- **FMV** 35 Watt Halogen
- **EXZ** 50 Watt Halogen

Cree chipset (5W) — **5W-A-NFL** 5 Watt Amber (1500K) **TURTLE FRIENDLY**

Lumiled chipset (7W) — **5W-NFL** 5 Watt Warm White (3000K)

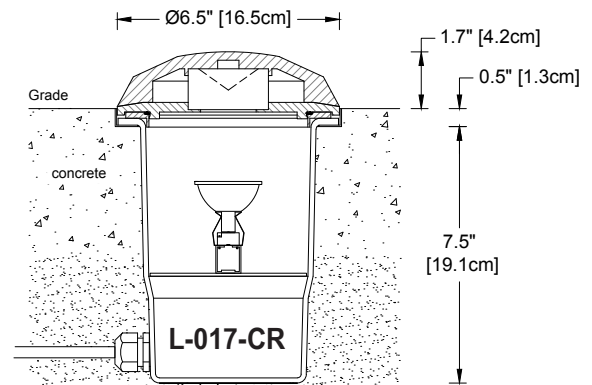
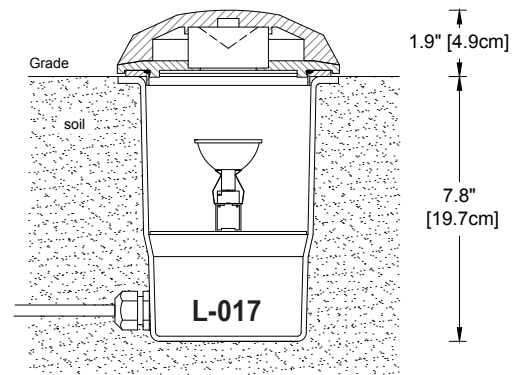
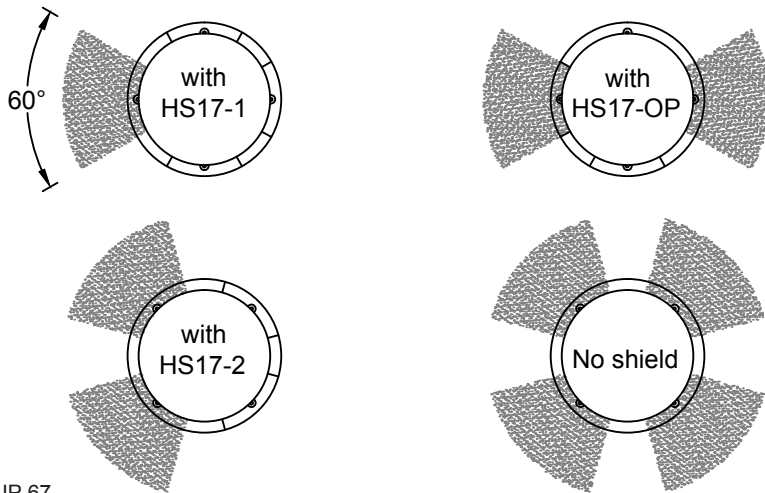
Soraa chipset (8W) — **7W-NFL** 7 Watt Warm White (3000K)

— **8W-NFL** 8 Watt Warm White (3000K)

**Accessories**

- **HS17-1** Shield for single-sector illumination
- **HS17-2** Shield for dual adjacent sector illumination
- **HS17-OP** Shield for opposite sector illumination

**Finish:** Unfinished is standard; no specification required. The fixture will weather to a natural patina. The patina process is natural with brass and copper. Rate of patina and eventual color is dependent upon climate and proximity to the ocean. Thus, Beachside does not guarantee any specific appearance.



Fixtures supplied with 10 ft. [3 m] type SJOOW cord for remote connectors.

IP 67  
 CSA Listed, file #190030  
 10 year fixture warranty  
 3 year warranty on MR16 LED lamps  
 Drive-over static load rating: 24,000 lbs

Weight: 10 lbs. [4.5 kg]  
**MADE IN USA**

## L-017 Footcandle Readings at Horizontal Distance from Fixture

Lamp	1' / 0.3m	2' / 0.6m	3' / 0.9m	4' / 1.2m	5' / 1.5m	6' / 1.8m	7' / 2.1m	8' / 2.4m	9' / 2.7m	10' / 3.0m
BBF	1.44	0.52	0.24	0.15	0.10	0.07	0.06	0.05	0.03	0.02
FMV	2.95	0.96	0.47	0.28	0.19	0.13	0.10	0.08	0.06	0.04
EXZ	6.51	2.10	1.06	0.62	0.40	0.28	0.21	0.16	0.12	0.09
5W-A-NFL	6.77	2.09	0.98	0.49	0.29	0.18	0.16	0.12	0.10	0.06
5W-NFL	8.95	3.08	1.36	0.71	0.42	0.27	0.20	0.15	0.12	0.11
8W-NFL	22.21	7.62	3.41	1.72	1.03	0.67	0.48	0.38	0.31	0.29

Project \_\_\_\_\_

By \_\_\_\_\_

Date \_\_\_\_\_

For ordering purposes, please specify (example: **L-017-CR—5W-NFL—HS17-2**)

**L-017-** \_\_\_\_\_

Fixture

Lamp

Accessory (if any)