

L-017 / L-017-CR

L-017-B / L-017-B-CR

L-017-C / L-017-C-CR



Wildlife Lighting
Certification Number
2018-029



The L-017 is a family of brass and composite, in-ground pathlights for high-traffic and drive-over applications. Ideal for paths with low ground cover.

Construction Cast brass base, cover, and dome on a composite housing

Lens Frosted, borosilicate glass.

L-017: 12V At-grade application for soil, gravel, or brick

L-017-CR: 12V Same as L-017 but with a **CONCRETE RING** for fully recessed concrete installation

L-017-B-120V: 120V At-grade application for soil, gravel, or brick

L-017-B-CR-120V: 120V Same as L-017-B-120V but with a **CONCRETE RING** for fully recessed concrete installation

L-017-B-230V: 230V At-grade application for soil, gravel, or brick

L-017-B-CR-230V: 230V Same as L-017-B-230V but with a **CONCRETE RING** for fully recessed concrete installation

Lamps GU5.3 base • MR16 • Cree chipset

5W-A-NFL 5 Watt LED Amber (1500K)

Remote transformer required for L-017 / L-017-CR

L-017-C-120V: 120V At-grade application for soil, gravel, or brick

L-017-C-CR-120V: 120V Same as L-017-C-120V but with a **CONCRETE RING** for fully recessed concrete installation

L-017-C-230V: 230V At-grade application for soil, gravel, or brick

L-017-C-CR-230V: 230V Same as L-017-C-230V but with a **CONCRETE RING** for fully recessed concrete installation

Lamps GU10 base • MR16 • Cree chipset

5W-A-NFL 5 Watt LED Amber (1500K)

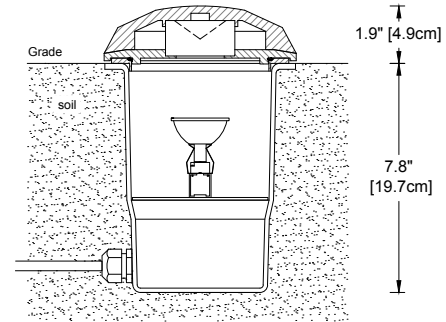
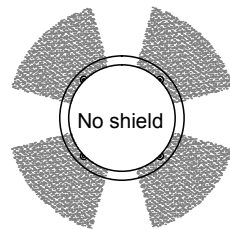
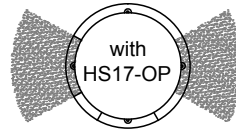
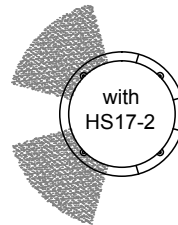
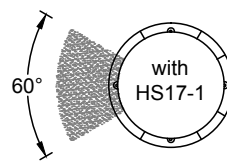
Accessories

- HS17-1** Shield for single-sector illumination
- HS17-2** Shield for dual adjacent sector illumination
- HS17-OP** Shield for opposite sector illumination

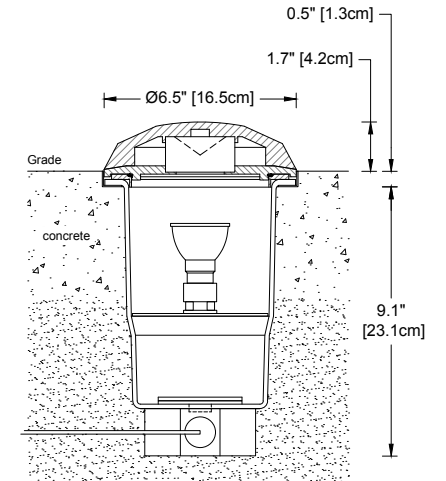
Finish: Unfinished is standard; no specification required. The fixture will weather to a natural patina. The patina process is natural with brass and copper. Rate of patina and eventual color is dependent upon climate and proximity to the ocean. Thus, Beachside does not guarantee any specific appearance.

IP 67
 CSA Listed, file #190030
 10 year fixture warranty
 3 year warranty on MR16 LED lamps
 Drive-over static load rating: 24,000 lbs

Weight: 11 lbs. [4.8 kg]
MADE IN USA



L-017 with GU5.3, MR16, bi-pin lamp



L-017-C-CR with GU10, MR16, bi-pin lamp

L-017 / L-017-CR supplied with 10 ft. [3 m] type SJOOW cord for remote connectors.

L-017-B / L-017-B-CR and **L-017-C / L-017-C-CR** supplied with 15 ft. [4.6 m] SJOOW cord.

L-017 Footcandle Readings at Horizontal Distance from Fixture

Lamp	1' / 0.3m	2' / 0.6m	3' / 0.9m	4' / 1.2m	5' / 1.5m	6' / 1.8m	7' / 2.1m	8' / 2.4m	9' / 2.7m	10' / 3.0m
5W-A-NFL	6.77	2.09	0.98	0.49	0.29	0.18	0.16	0.12	0.10	0.06

Project _____	By _____	Date _____
For ordering purposes, please specify (example: L-017-C-CR-230V—5W-A-NFL—HS17-2)		
L-017- _____	V _____	_____
Fixture	Lamp	Accessory (if any)