

# M5

The M-Series pathlights are the ultimate in heavy duty landscape lighting. Made of cast brass, these fixtures are larger than other Beachside pathlight fixtures. The multi-louver design uses incandescent, metal halide, xenon, and omnidirectional LED lamps. The single-louver design uses MR16 LEDs.

**Construction** Cast brass shade, louvers, and base assembly. 1/2" schedule 40 brass stem.

**Lens** Industry standard vapor-proof, prismatic, tempered glass

**Stem Height**

— 16	16" [41 cm]
— 20	20" [51 cm] - Standard
— 24	24" [61 cm]

**Voltage / Lamp Options**

**12V** G4/G6.35/GY6.35 • Remote transformer required.

- 20X 20 Watt Xenon
- 35H 35 Watt Halogen
- 3W-G4 3 Watt LED Warm White (2800K)
- 4W-G4 4 Watt LED Warm White (2800K)

GU5.3 • MR16 LED • Remote transformer required.

- Cree chipset (5W) — 5W-A **5 Watt Amber (1500K) TURTLE FRIENDLY**
- Lumiled chipset (7W) — 5W 5 Watt Warm White (3000K)
- Soraa chipset (8W) — 7W 7 Watt Warm White (3000K)
- 8W 8 Watt Warm White (3000K)

**120V / 230V** E26 base • LED and Metal Halide

- 9W-A19 9 Watt A19, 3000K
- 50MH 50 Watt Metal Halide, ED17 type

GU10 • MR16 LED

- Cree chipset (5W) — 5W-A **5 Watt Amber (1500K) TURTLE FRIENDLY**
- Soraa chipset (8W) — 5W 5 Watt Warm White (3000K)
- 8W 8 Watt Warm White (3000K)

**Optical Accessories**

- HSM Half shield for 180° illumination
- HSM-LED Half shield for LED lamps *only*
- RB In-grade remote metal halide ballast (MH applications only)

**Mounting Accessories** 1/2" male threads. Mounts into any standard j-box or:

- GS2BC Heavy-duty ground spike with cast brass cap
- JB Cast brass junction box

**Finish:** Unfinished is standard; no specification required. The fixture will weather to a natural patina. The patina process is natural with brass and copper. Rate of patina and eventual color is dependent upon climate and proximity to the ocean. Thus, Beachside does not guarantee any specific appearance.

**Weight:** 12 lbs / 5.4 kg (20" stem)

**MADE IN USA**

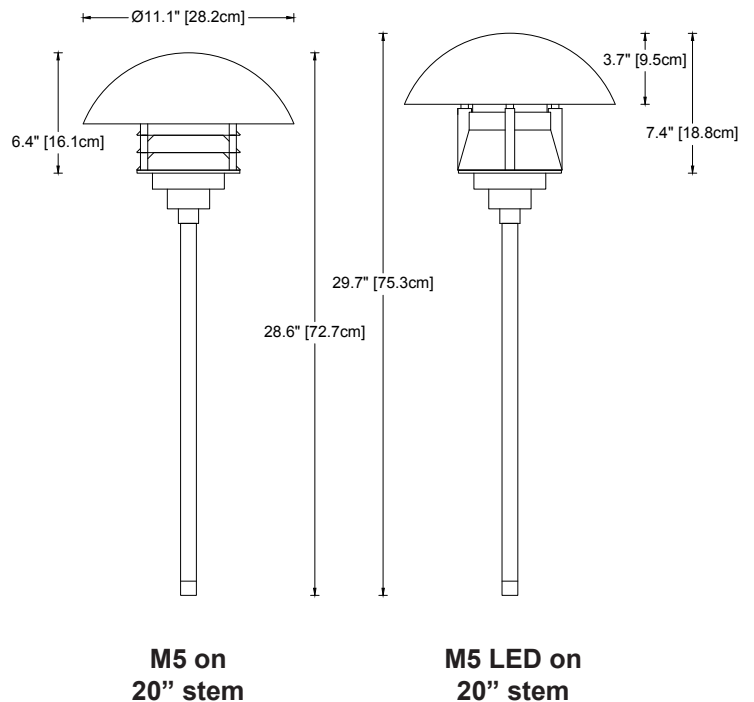
IP66  
CSA Listed, file #190030  
10 year fixture warranty  
3 year warranty on MR16 LED lamps



Multi-louver for **Halogen, Metal Halide, Xenon, and LED lamps**



Single-louver for **MR16 LED lamps**



**M5 on 20" stem**

**M5 LED on 20" stem**

M5 Footcandles at Radius from Fixture base with Standard 20" Stem Height							
Lamp	3W-G4	5W-A	5W	8W	20X	35H	50MH
1' / 0.3m	0.69	0.14	0.67	1.04	1.10	1.90	5.00
2' / 0.6m	0.69	0.24	1.02	2.15	1.10	1.90	5.00
3' / 0.9m	1.34	0.26	1.15	2.37	1.30	3.80	4.60
4' / 1.2m	0.18	0.19	0.96	1.82	0.20	0.50	4.80
5' / 1.5m	0.09	0.13	0.66	1.17	0.10	0.30	3.80

Project \_\_\_\_\_ By \_\_\_\_\_ Date \_\_\_\_\_

For ordering purposes, please specify (example: **M5—16—120V—5W-A—HSM-LED—GS2BC**)

**M5** \_\_\_\_\_

Fixture \_\_\_\_\_ Stem Height \_\_\_\_\_ Voltage \_\_\_\_\_ Lamp \_\_\_\_\_ Accessory(ies) \_\_\_\_\_