

M7

The M-Series pathlights are the ultimate in heavy duty landscape lighting. Made of cast brass, these fixtures are larger than other Beachside pathlight fixtures. The multi-louver design uses incandescent, metal halide, xenon, and omnidirectional LED lamps. The single-louver design uses MR16 LEDs.



Multi-louver for **Halogen, Metal Halide, Xenon, and LED lamps**



Single-louver for **MR16 LED lamps**

Construction Cast brass shade, louvers, and base assembly. 1/2" schedule 40 brass stem.

Lens Industry standard vapor-proof, prismatic, tempered glass

Stem Height

— 16	16" [41 cm]
— 20	20" [51 cm] - Standard
— 24	24" [61 cm]

Voltage / Lamp Options

12V G4/G6.35/GY6.35 • Remote transformer required.

- **20X** 20 Watt Xenon
- **35H** 35 Watt Halogen
- **3W-G4** 3 Watt LED Warm White (2800K)
- **4W-G4** 4 Watt LED Warm White (2800K)

GU5.3 • MR16 LED • Remote transformer required.

- Cree chipset (5W) — **5W-A** **5 Watt Amber (1500K) TURTLE FRIENDLY**
- Lumiled chipset (7W) — **5W** 5 Watt Warm White (3000K)
- Soraa chipset (8W) — **7W** 7 Watt Warm White (3000K)
- **8W** 8 Watt Warm White (3000K)

120V / 230V E26 base • LED and Metal Halide

- **9W-A19** 9 Watt A19, 3000K
- **50MH** 50 Watt Metal Halide, ED17 type

GU10 • MR16 LED

- Cree chipset (5W) — **5W-A** **5 Watt Amber (1500K) TURTLE FRIENDLY**
- Soraa chipset (8W) — **5W** 5 Watt Warm White (3000K)
- **8W** 8 Watt Warm White (3000K)

Optical Accessories

- **HSM** Half shield for 180° illumination
- **HSM-LED** Half shield for LED lamps *only*
- **RB** In-grade remote metal halide ballast (MH applications only)

Mounting Accessories 1/2" male threads. Mounts into any standard j-box or:

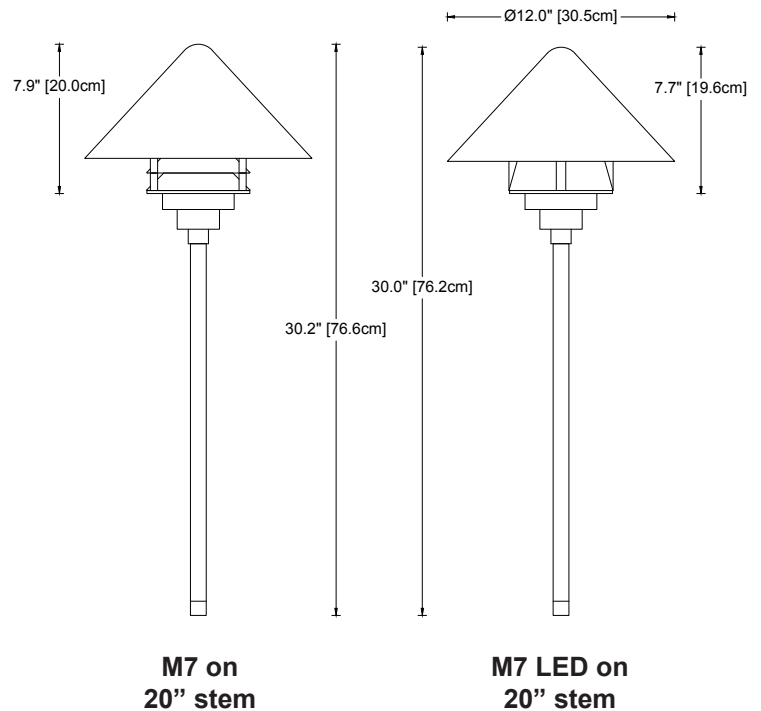
- **GS2BC** Heavy-duty ground spike with cast brass cap
- **JB** Cast brass junction box

Finish: Unfinished is standard; no specification required. The fixture will weather to a natural patina. The patina process is natural with brass and copper. Rate of patina and eventual color is dependent upon climate and proximity to the ocean. Thus, Beachside does not guarantee any specific appearance.

Weight: 12 lbs / 5.4 kg (20" stem)

MADE IN USA

IP66
CSA Listed, file #190030
10 year fixture warranty
3 year warranty on MR16 LED lamps



M7 Footcandles at Radius from Fixture base with Standard 20" Stem Height							
Lamp	3W-G4	5W-A	5W	8W	20X	35H	50MH
1' / 0.3m	0.69	0.13	0.62	1.17	1.10	1.90	5.00
2' / 0.6m	0.69	0.22	0.98	2.23	1.10	1.90	5.00
3' / 0.9m	1.34	0.24	1.12	2.31	1.30	3.80	4.60
4' / 1.2m	0.18	0.19	0.95	1.73	0.20	0.50	4.80
5' / 1.5m	0.09	0.12	0.65	1.09	0.10	0.30	3.80

Project _____	By _____	Date _____					
For ordering purposes, please specify (example: M7—16—120V—5W-A—HSM-LED—GS2BC)							
M7	—	—	—	—	—	—	—
Fixture	Stem Height	Voltage	Lamp	Accessory(ies)			