

R-003A

The R-003A pathlight is a durable fixture made from brass and copper. It is ideal for walkway and area lighting in any landscape theme and location.



Construction All brass components. 1/2" schedule 40 brass stem. 18-gauge copper shade, underside powdercoated white.

Lens Tempered, frosted glass

Voltage 12 Volts AC, Remote transformer required

Stem Height 12 inches is standard. Available stem heights:

- 8 8" [20 cm]
- 12 12" [30 cm]
- 16 16" [40 cm]
- 20 20" [51 cm]

Custom heights upon request

Lamps

- **3W-G4** 3 Watt LED Warm White (2800K)
- G4 base — **10X** 10 Watt Xenon
- 35 Watts maximum — **15X** 15 Watt Xenon
- **20X** 20 Watt Xenon

- G4 / G6.35 / GY6.35 — **10H** 10 Watt Halogen
- 50W maximum — **20H** 20 Watt Halogen
- (CSA listed for 35W max in Canada) — **35H** 35 Watt Halogen
- **50H** 50 Watt Halogen

Optical Accessories — **HSR** Half shield for 180° illumination

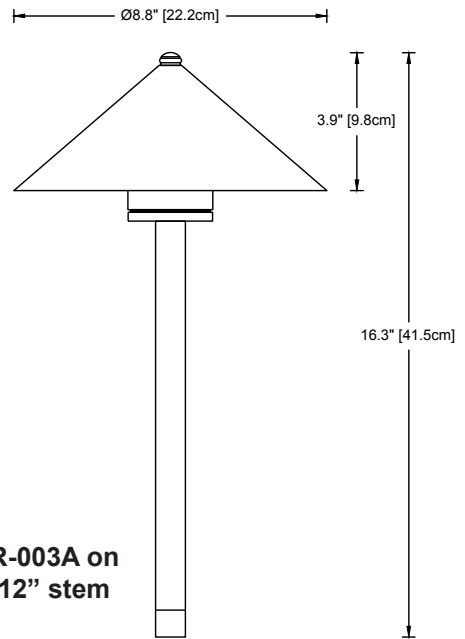
Mounting Accessories 1/2" male threads. Mounts into any standard j-box or:

- **GS2** Heavy-duty ground spike
- **GS2BC** Heavy-duty ground spike with cast brass cap
- **GS3R** Heavy-duty ground spike with brass cap for telescoping riser
- **GS4** Standard ground spike with cast brass cap
- **JB** Cast brass junction box

Finish: Unfinished is standard; no specification required. The fixture will weather to a natural patina. The patina process is natural with brass and copper. Rate of patina and eventual color is dependent upon climate and proximity to the ocean. Thus, Beachside does not guarantee any specific appearance.

Weight: 3.1 lbs [1.4 kg]

IP66
CSA Listed, file #190030
10 year fixture warranty



R-003A on 12" stem

MADE IN USA

R-003A Horizontal Footcandles at Radius from Fixture base with Standard 12" Stem Height

Lamp	1' / 0.3m	2' / 0.6m	3' / 0.9m	4' / 1.2m	5' / 1.5m	6' / 1.8m
3W-G4	3.60	1.67	0.96	0.47	0.27	0.12
10X	2.69	1.34	0.75	0.46	0.23	0.11
15X	4.00	1.91	1.07	0.60	0.29	0.14
20X	6.30	3.22	1.85	1.05	0.50	0.23
10H	2.11	1.04	0.59	0.33	0.18	0.08
20H	6.20	2.88	1.65	0.81	0.46	0.20
35H	13.14	7.59	3.80	1.81	0.66	0.33
50H	16.95	8.80	4.28	2.22	0.97	0.47

Project	By	Date
For ordering purposes, please specify (example: R-003A—12—20H—HSR—GS2)		
R-003A	—	—
Fixture	Stem Height	Accessory(ies)