

R7

The R7 pathlight is a durable fixture made from brass and copper. It is ideal for walkway and area lighting in any landscape theme and location.



Construction All brass components. 1/2" schedule 40 brass stem. 18-gauge copper shade, underside powdercoated white.

Lens Frosted borosilicate glass, 4.8mm wall thickness

Stem Height 12 inches is standard. Available stem heights:

- **8** 8" [20 cm]
- **12** 12" [30 cm]
- **16** 16" [40 cm]
- **20** 20" [51 cm]

Custom heights upon request

Voltage / Lamp Options

12V GU5.3 • MR16 LED • Remote transformer required.

- | | | |
|----------------------|---------------|---|
| Cree chipset (5W) | — 5W-A | 5 Watt AMBER (1500K) TURTLE FRIENDLY |
| Lumiled chipset (7W) | — 5W | 5 Watt Warm White (3000K) |
| Soraa chipset (8W) | — 7W | 7 Watt Warm White (3000K) |
| | — 8W | 8 Watt Warm White (3000K) |

Triple LED Module • Remote transformer required.

Cree XPG2 chipset — **11W** 11 Watt Warm White (3000K*)

* Also available in 2700K. Add color suffix to lamp specification, e.g. "11W-2700K"

120V / 230V GU10 • MR16 LED

- | | | |
|--------------------|---------------|---|
| Cree chipset (5W) | — 5W-A | 5 Watt AMBER (1500K) TURTLE FRIENDLY |
| Soraa chipset (8W) | — 5W | 5 Watt Warm White (3000K) |
| | — 8W | 8 Watt Warm White (3000K) |

Optical Accessory — **HSR** Half shield for 180° illumination

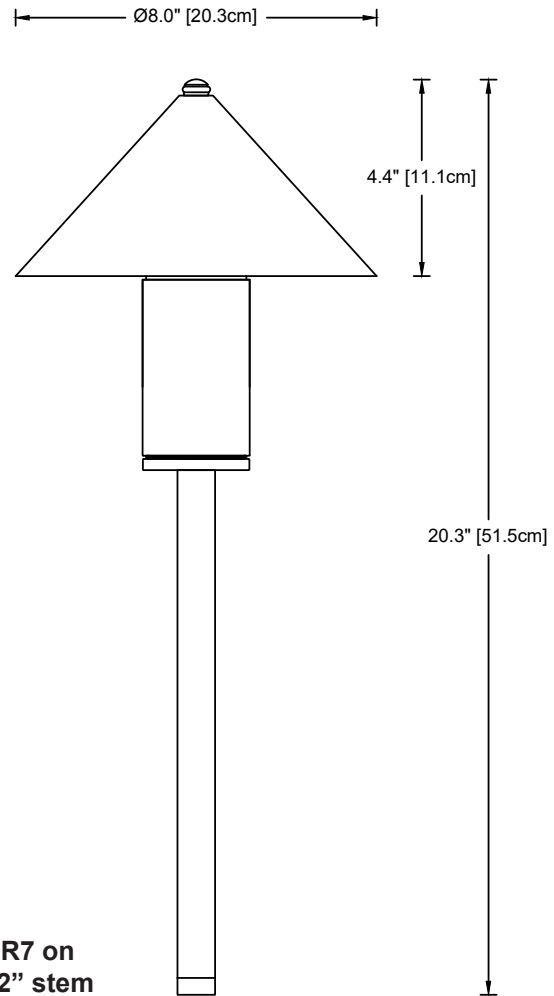
Mounting Accessories 1/2" male threads. Mounts into any standard j-box or:

- **GS2** Heavy-duty ground spike
 - **GS2BC** Heavy-duty ground spike with cast brass cap
 - **GS3R** Heavy-duty ground spike with brass cap for telescoping riser
 - **GS4** **Standard ground spike with cast brass cap
 - **JB** Cast brass junction box
- ** This accessory for 12 Volt fixture only.

Finish: Unfinished is standard; no specification required. The fixture will weather to a natural patina. The patina process is natural with brass and copper. Rate of patina and eventual color is dependent upon climate and proximity to the ocean. Thus, Beachside does not guarantee any specific appearance.

Weight: 3.7 lbs [1.7 kg] with 12" stem

IP66
CSA Listed, file #190030
10 year fixture warranty
3 year warranty on MR16 LED lamps



MADE IN USA

Project _____		By _____		Date _____	
For ordering purposes, please specify (example: R7—120V—12—5W-A—HSR—GS2)					
R7	—	—	—	—	—
Fixture	Voltage	Stem Height	Lamp	Accessory(ies)	