

# RP

The RP is a low-profile, brass, surface-mount fixture for wood or concrete installation that utilizes a cage design for protection. It is ideal for high-traffic locations such as resorts, golf courses, and similar applications where there is risk of contact from lawnmowers, golf carts, etc., as well anywhere vandalism is a concern.

**Construction** All brass components.

**Lens** Tempered, frosted, soda lime glass

**Mounting** Internal solid brass collar surface-mounts onto wood using stainless steel lag screws (included) or onto concrete using concrete lag shields (also included). Brass base fits over collar and is secured by stainless steel set screws.

## Voltage / Lamp Options

**12V** G4 bi-pin LED • Remote transformer required

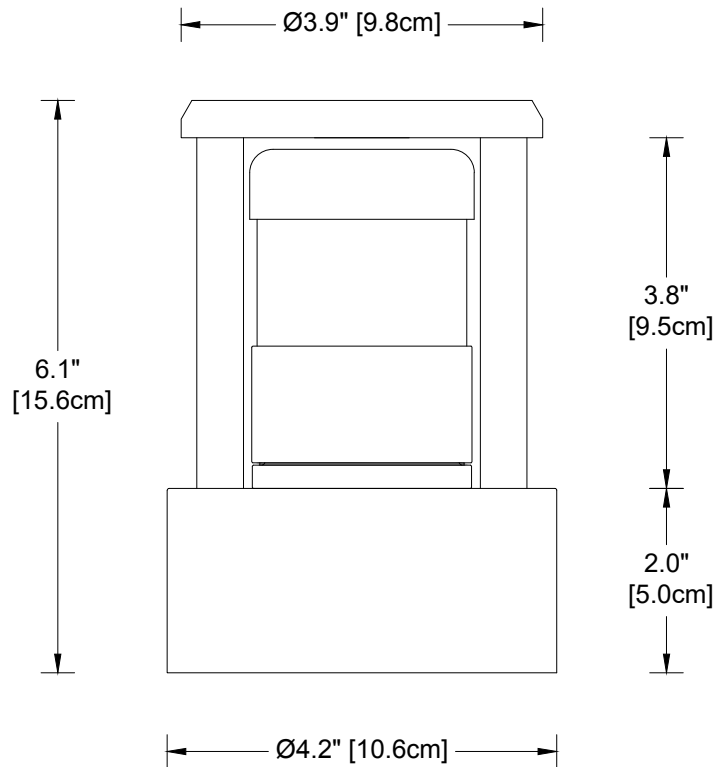
- **4W-A-G4** 4 Watt Amber (1500K)
- **3W-G4** 3 Watt Warm White (2800K, 200 lm)
- **4W-G4** 4 Watt Warm White (2800K, 280 lm)

**120V** G9 LED

- **3W-A-G9** 3 Watt Amber (1500K)
- **4W-G9** 4 Watt Warm White (3000K)

**Optical Accessory** — **HS1** Half shield for 180° illumination

**Finish:** Unfinished is standard; no specification required. The fixture will weather to a natural patina. The patina process is natural with brass and copper. Rate of patina and eventual color is dependent upon climate and proximity to the ocean. Thus, Beachside does not guarantee any specific appearance.



**Weight:** 7 lbs [3.2 kg]

IP 67  
CSA Listed, file # 190030, for 12V  
(120V listing pending)  
10 year fixture warranty

**MADE IN USA**

Project	By	Date	
For ordering purposes, please specify (example: <b>RP-12V-3W-G4-HS1</b> )			
<b>RP</b> Fixture	Voltage	Lamp	Accessory